



EUROPEAN ANTENNAS

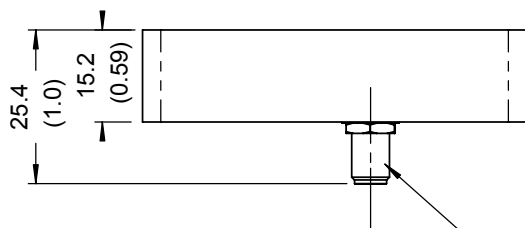
Excellence through design
Creative in concept

LOW PROFILE ANTENNA

MODEL: LPA7-40R/1051

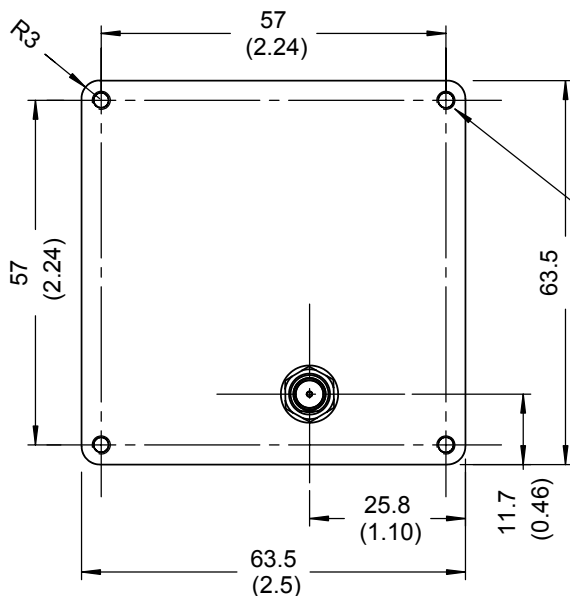
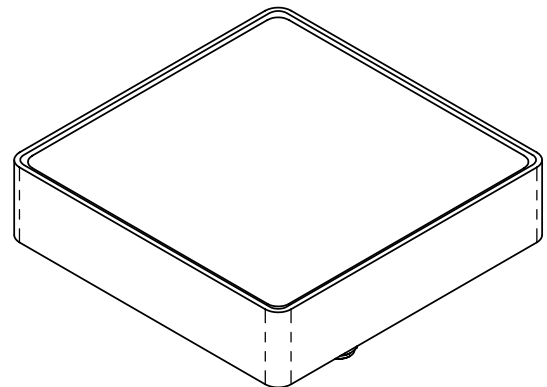
FREQUENCY:	3.7 - 4.2 GHz	GAIN:	8 dBiC Minimum
POLARISATION:	Right Hand Circular	BEAMWIDTH:	65° (Az.) x 65° (El.) Approx.
AXIAL RATIO:	3 dB Typical	VSWR:	1.5 : 1
POWER RATING:	20 W	FRONT TO BACK:	30 dB Minimum
TEMPERATURE:	-20° to +50°C	MASS:	80 g / 2.82 oz
FINISH:	Alocrom 1200 Chassis, Unpainted Radome	WIND LOADING:	0.65 Kg / 1.44 lbs @ 100 mph

TOP VIEW



SMA(F)
CONNECTOR

ISOMETRIC VIEW



MOUNTED VIA
M3.0 x 6 DEEP
TAPPED HOLES

REAR VIEW

DIMENSIONS: mm (inches) | M

GA: 1051-1 Issued: 080903

EUROPEAN ANTENNAS LTD.

Tel: +44 (0)1638 731888
Fax: +44 (0)1638 731999

LAMBDA HOUSE, CHEVELEY
NEWMARKET, SUFFOLK, CB8 9RG,
UNITED KINGDOM

E-Mail: sales@european-antennas.co.uk
Website: www.european-antennas.co.uk