



N Male to N Female Right Angle Adapter

TECHNICAL DATA SHEET

PE9086

N Male to N Female Right Angle Adapter

Configuration

Connector 1	N Male
Impedance 1	50 Ohms
Connector Specification 1	MIL-STD-348A
Connector 2	N Female
Impedance 2	50 Ohms
Connector Specification 2	MIL-STD-348A
Adapter Design	Standard
Body Style	Right Angle

Electrical Specifications

Frequency Range, GHz	DC to 11
Maximum Operating Voltage, Volts	1,000
Dielectric Withstanding Voltage, Vrms	2,500

Frequency 1

Frequency, GHz	DC to 10
VSWR	1.3:1

Mechanical Specifications

Temperature

Operating Range, deg C	-65 to +165
------------------------	-------------

Size

Length, in [mm]	1.441 [36.6]
Width/Dia., in [mm]	0.827 [21.01]
Height, in [mm]	1.371 [34.82]

Connector 1

Type	N Male
Inner Conductor Material and Plating	Brass, Gold
Inner Conductor Plating Specification	30µ in. minimum
Coupling Nut Material and Plating	Brass, Nickel
Coupling Nut Plating Specification	100µ in. minimum
Body Material and Plating	Brass, Nickel
Body Plating Specification	100µ in. minimum
Dielectric Type	Teflon

Connector 2

Type	N Female
Inner Conductor Material and Plating	Brass, Gold
Inner Conductor Plating Specification	30µ in. minimum

Click the following link (or enter part number in "SEARCH" on website) to obtain additional part information including price, inventory and certifications: [N Male to N Female Right Angle Adapter PE9086](#)

The information contained in this document is accurate to the best of our knowledge and representative of the part described herein. It may be necessary to make modifications to the part and/or the documentation of the part, in order to implement improvements. Pasternack reserves the right to make such changes as required. Unless otherwise stated, all specifications are nominal.





N Male to N Female Right Angle Adapter

TECHNICAL DATA SHEET

PE9086

Body Material and Plating
Body Plating Specification

Brass, Nickel
100 μ in. minimum

Compliance Certifications (visit www.Pasternack.com for current document)

RoHS Compliant
REACH Compliant

Yes
06/18/2012

Plotted and Other Data

Notes:

Values at 25 °C, sea level

N Male to N Female Right Angle Adapter from Pasternack Enterprises has same day shipment for domestic and International orders. Our RF, microwave and fiber optic products maintain a 99% availability and are part of the broadest selection in the industry.

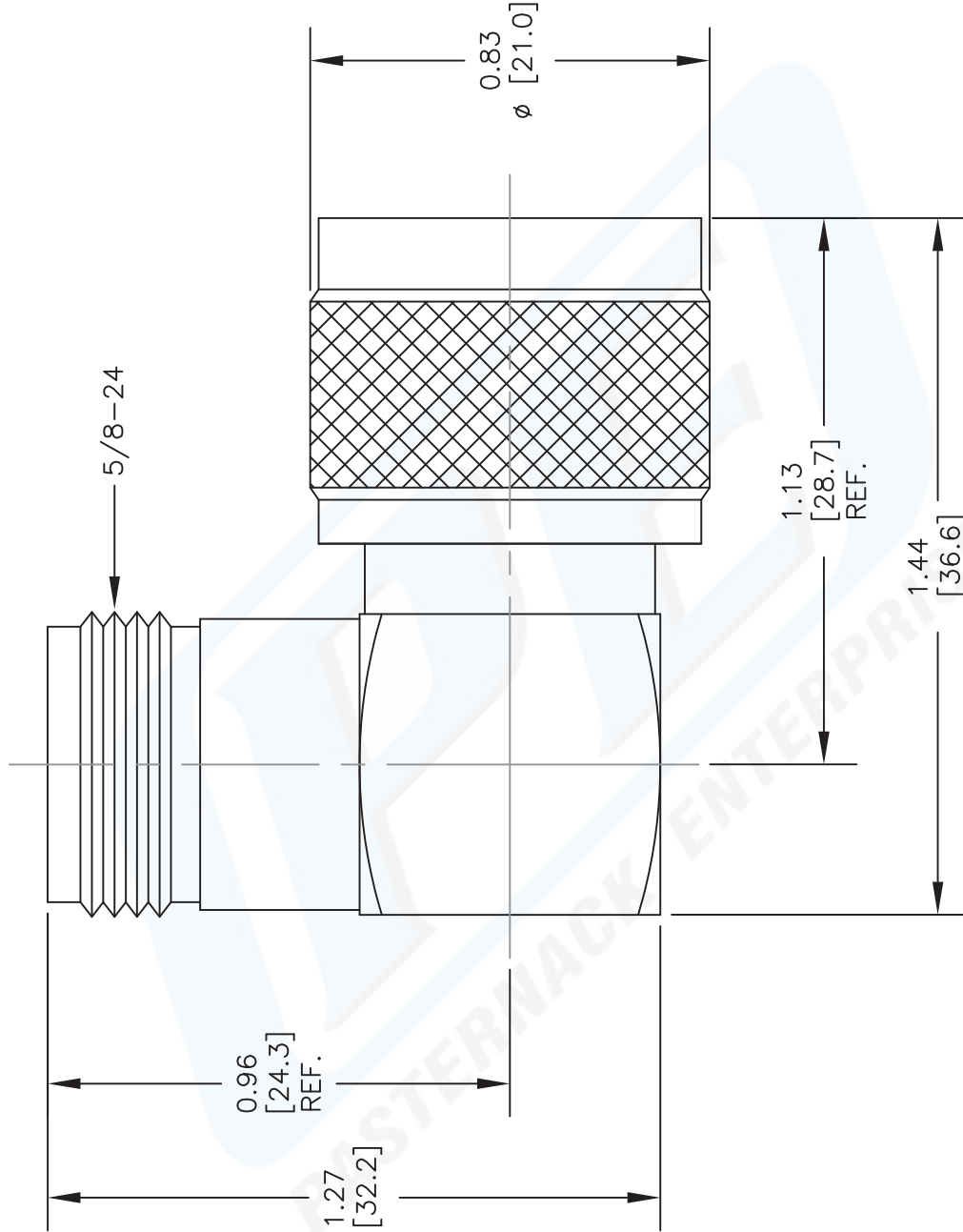
Click the following link (or enter part number in "SEARCH" on website) to obtain additional part information including price, inventory and certifications: [N Male to N Female Right Angle Adapter PE9086](#)

URL: <http://www.pasternack.com/n-male-n-female-right-angle-adapter-pe9086-p.aspx>

The information contained in this document is accurate to the best of our knowledge and representative of the part described herein. It may be necessary to make modifications to the part and/or the documentation of the part, in order to implement improvements. Pasternack reserves the right to make such changes as required. Unless otherwise stated, all specifications are nominal.

PE9086 CAD Drawing

N Male to N Female Right Angle Adapter



DWG TITLE

PE9086

NOTES:
 1. UNLESS OTHERWISE SPECIFIED ALL DIMENSIONS ARE NOMINAL.
 2. ALL SPECIFICATIONS ARE SUBJECT TO CHANGE WITHOUT NOTICE AT ANY TIME.
 3. DIMENSIONS ARE IN INCHES [mm].

FSCM NO. 53919

CAD FILE 010614

SCALE N/A

SIZE A

2233



Pasternack Enterprises, Inc.
 P.O. Box 16759 | Irvine | CA | 92623
Phone: (949) 261-1920 | **Fax:** (949) 261-7451
Website: www.pasternack.com | **E-Mail:** sales@pasternack.com