



Low Power 2 Watts RF Load Up To 6 GHz With TNC Male Input

TECHNICAL DATA SHEET

PE6172

Configuration

Connector	TNC Male
Connection Method	Standard
Body Style	Straight

Electrical Specifications (Values at 25°C, sea level)

Description	Minimum	Typical	Maximum	Units
Frequency Range	DC		6	GHz
Impedance			50	Ohms
VSWR			1.2:1	
Input Power			2	Watts

Specifications by Frequency

Description	F1	F2	F3	F4	F5	Units
Range	DC to 1	1 to 2.5	2.5 to 6			GHz
VSWR	1.1:1	1.15:1	1.2:1			

Mechanical Specifications

Temperature

Operating Range -55 to +125 deg C

Size

Length 1.09 in [27.69 mm]
Width/Dia. 0.62 in [15.75 mm]

Connector

Type TNC Male
Inner Conductor Material and Plating Brass, Gold
Coupling Nut Material and Plating Brass, Tri-Metal
Hex Size 14 mm
Body Material and Plating Brass, Tri-Metal
Dielectric Type PTFE

Compliance Certifications (visit www.Pasternack.com for current document)

RoHS Compliant

Plotted and Other Data

Notes:

- Values at +25 °C, sea level

Click the following link (or enter part number in "SEARCH" on website) to obtain additional part information including price, inventory and certifications: [Low Power 2 Watts RF Load Up To 6 GHz With TNC Male Input PE6172](#)

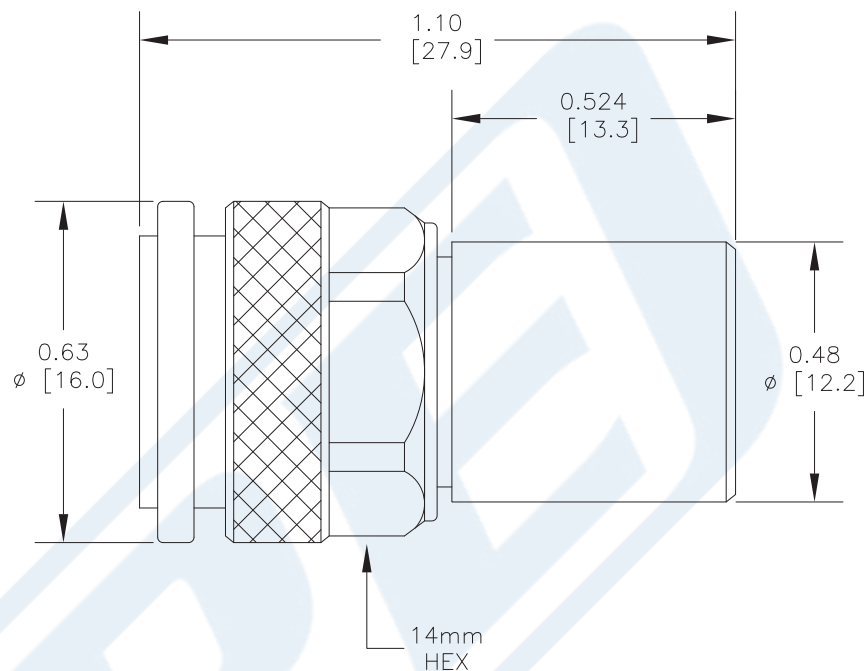


Low Power 2 Watts RF Load Up To 6 GHz With TNC Male Input

TECHNICAL DATA SHEET

PE6172

Outline Drawing



Low Power 2 Watts RF Load Up To 6 GHz With TNC Male Input from Pasternack Enterprises has same day shipment for domestic and International orders. Our RF, microwave and millimeter wave products maintain a 99% availability and are part of the broadest selection in the industry.

Click the following link (or enter part number in "SEARCH" on website) to obtain additional part information including price, inventory and certifications: [Low Power 2 Watts RF Load Up To 6 GHz With TNC Male Input PE6172](http://www.pasternack.com/2-watts-tnc-male-rf-load-up-to-6-ghz-pe6172-p.aspx)

URL: <http://www.pasternack.com/2-watts-tnc-male-rf-load-up-to-6-ghz-pe6172-p.aspx>

The information contained in this document is accurate to the best of our knowledge and representative of the part described herein. It may be necessary to make modifications to the part and/or the documentation of the part, in order to implement improvements. Pasternack reserves the right to make such changes as required. Unless otherwise stated, all specifications are nominal. Pasternack does not make any representation or warranty regarding the suitability of the part described herein for any particular purpose, and Pasternack does not assume any liability arising out of the use of any part or documentation.