



## 3 Section Tunable Band Reject Filter With N Female Connectors Operating From 1 GHz to 2 GHz With a 1% Bandwidth

### TECHNICAL DATA SHEET

PE8738

#### 3 Section Tunable Band Reject Filter With N Female Connectors Operating From 1 GHz to 2 GHz With a 1% Bandwidth

Pasternack's Tunable Band Pass Filters and Band Reject Filters (also referred to as Band-Stop filters or Band-Rejection filters) are available in tunable frequency ranges from 100 MHz to 3 GHz. Tunable RF filter products are bench top units that are ideal for reducing harmonics and noise levels with lab-grade precision. The average power rating of these tunable filter components is 50 Watts and have a dial accuracy of 1%. Both the 3 section and 5 section bandpass and band-reject filters have a nominal 5% bandwidth that is tunable across the filter's frequency range.

- Available in both Band pass and Band reject
- 100 MHz to 3 GHz Frequency Ranges
- Typical VSWR is 1.5:1
- N-Type Connectors

#### Configuration

Design	Tunable Filter
Connector 1	N Female
Connector 2	N Female

#### Electrical Specifications

Useable Frequency Range, GHz	1 to 2
Bandwidth, MHz	9 to 24
Nominal Bandwidth, %	1
40 dB Minimum Bandwidth, KHz	400
Notch Depth, dB	50
Tuning Dial Accuracy, %	0.5
Maximum VSWR	1.5:1
Impedance, Ohms	50
Maximum Input Power, Watts	50

#### Mechanical Specifications

##### Temperature

Operating Range, deg C	-55 to +85
Storage Range, deg C	-55 to +125

##### Size

Length, in [mm]	5 [127]
Width, in [mm]	2.75 [69.85]
Height, in [mm]	2.85 [72.39]

##### Connector 1

Type	N Female
------	----------

Click the following link (or enter part number in "SEARCH" on website) to obtain additional part information including price, inventory and certifications: [3 Section Tunable Band Reject Filter With N Female Connectors Operating From 1 GHz to 2 GHz With a 1% Bandwidth PE8738](#)

The information contained in this document is accurate to the best of our knowledge and representative of the part described herein. It may be necessary to make modifications to the part and/or the documentation of the part, in order to implement improvements. Pasternack reserves the right to make such changes as required. Unless otherwise stated, all specifications are nominal.



3 Section Tunable Band Reject Filter With N Female Connectors  
Operating From 1 GHz to 2 GHz With a 1% Bandwidth

TECHNICAL DATA SHEET

PE8738

**Connector 2**  
Type

N Female

**Compliance Certifications** (visit [www.Pasternack.com](http://www.Pasternack.com) for current document)  
RoHS Compliant

Yes

**Plotted and Other Data**  
Notes:

Values at 25 °C, sea level

3 Section Tunable Band Reject Filter With N Female Connectors Operating From 1 GHz to 2 GHz With a 1% Bandwidth from Pasternack Enterprises has same day shipment for domestic and International orders. Our RF, microwave and fiber optic products maintain a 99% availability and are part of the broadest selection in the industry.

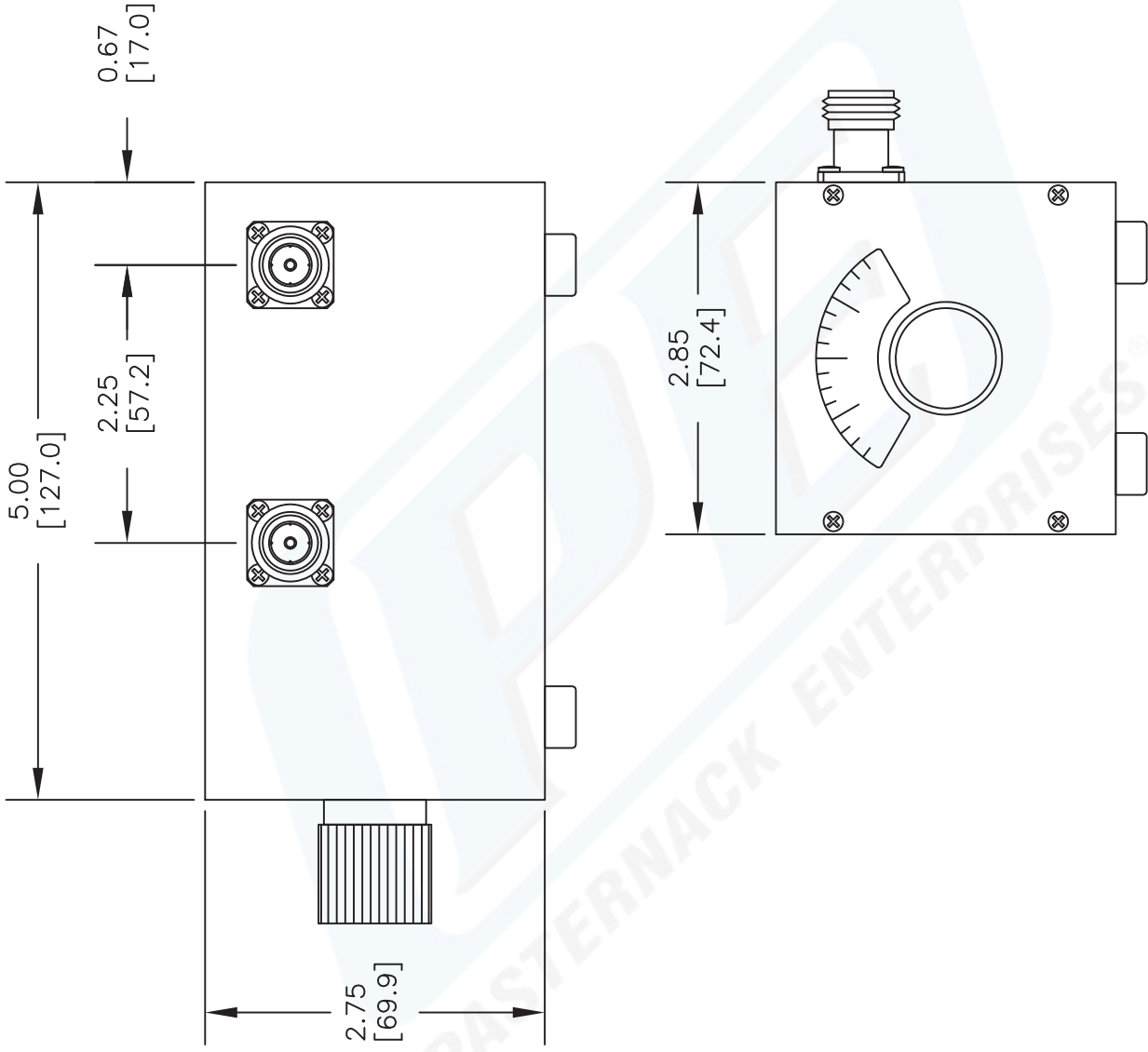
Click the following link (or enter part number in "SEARCH" on website) to obtain additional part information including price, inventory and certifications: [3 Section Tunable Band Reject Filter With N Female Connectors Operating From 1 GHz to 2 GHz With a 1% Bandwidth PE8738](http://www.pasternack.com/3-section-tunable-band-reject-filter-1-2-ghz-pe8738-p.aspx)

URL: <http://www.pasternack.com/3-section-tunable-band-reject-filter-1-2-ghz-pe8738-p.aspx>

The information contained in this document is accurate to the best of our knowledge and representative of the part described herein. It may be necessary to make modifications to the part and/or the documentation of the part, in order to implement improvements. Pasternack reserves the right to make such changes as required. Unless otherwise stated, all specifications are nominal.

# PE8738 CAD Drawing

3 Section Tunable Band Reject Filter With N Female Connectors  
 Operating From 1 GHz to 2 GHz With a 1% Bandwidth



NOTES:  
 1. UNLESS OTHERWISE SPECIFIED ALL DIMENSIONS ARE NOMINAL.  
 2. ALL SPECIFICATIONS ARE SUBJECT TO CHANGE WITHOUT NOTICE AT ANY TIME.  
 3. DIMENSIONS ARE IN INCHES [mm].

DWG TITLE  
**PE8738**

FSCM NO. 53919

CAD FILE 091013

SCALE N/A

SIZE A

2233

**PE PASTERNAK®**  
 Pasternack Enterprises, Inc.  
 P.O. Box 16759 | Irvine | CA | 92623  
 Phone: (949) 261-1920 | Fax: (949) 261-7451  
 Website: www.pasternack.com | E-Mail: sales@pasternack.com