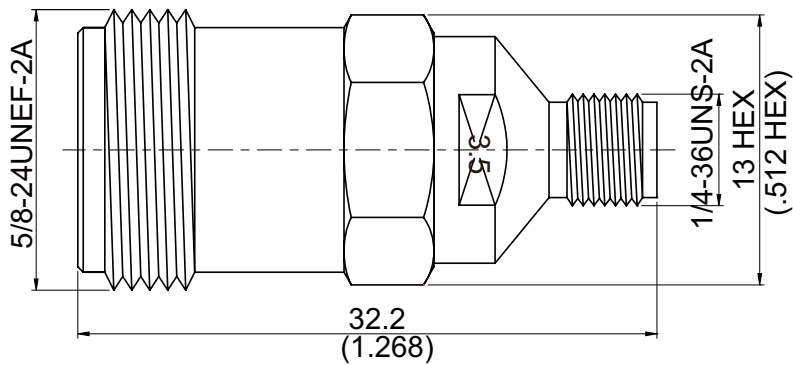


ADS-N8PC8	N Jack To 3.5 Jack	50Ω
-----------	--------------------	-----



Typical VSWR

Part Number	1~3Ghz	4~6Ghz	7~18Ghz
ADS-N8PC8	1.05	1.15	1.2

Parts	Material	Plating (Micro-inch)
Contact Pin	Beryllium Copper	Gold 20 Over Nickel 50 Over Copper 50
Holder	Brass	Tin-Zinc-Copper-Alloy 100 Over Copper 50
Insulator	Teflon	
Body	Stainless Steel	Passivated

Weight:

This part number complies with RoHS.

Notice: JYEBAO reserves the right to make modifications deemed appropriate.