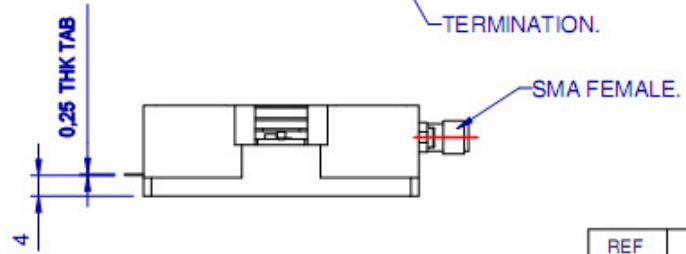
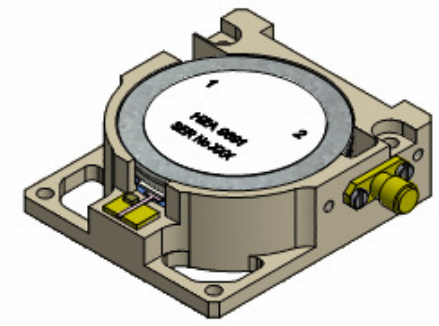
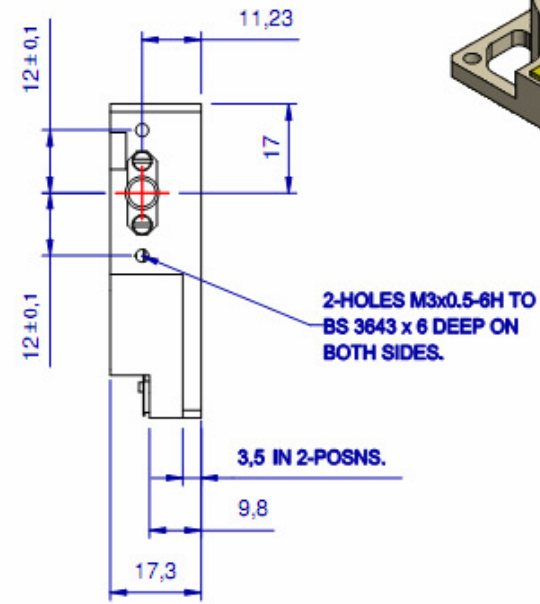
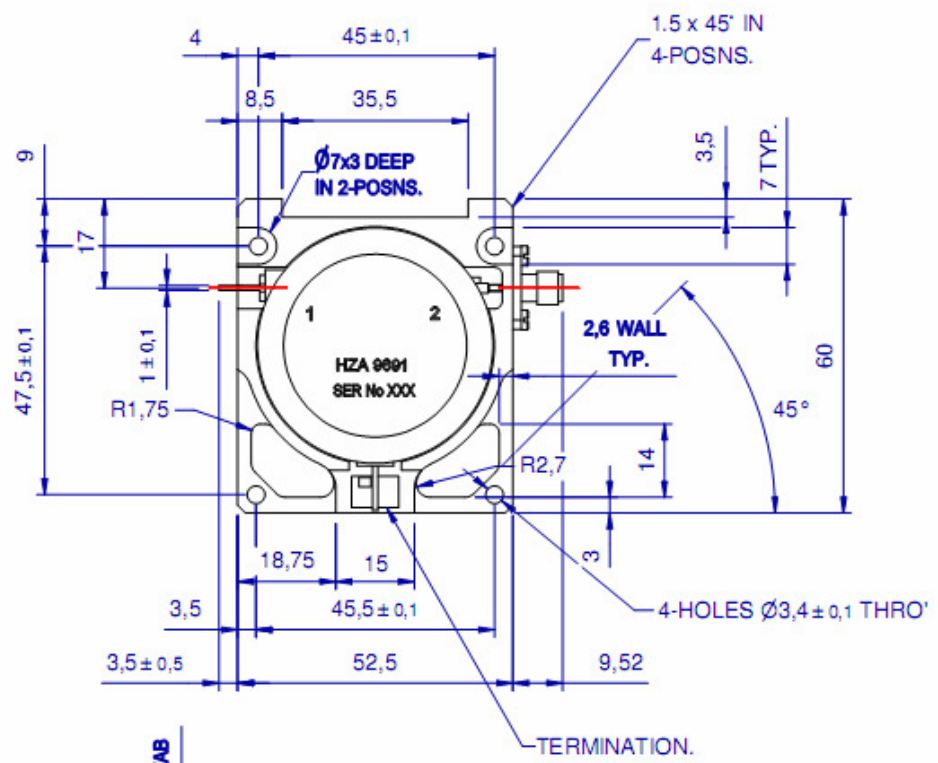


SERVICE DRAWING NUMBER  
SECURITY CLASSIFICATION

3rd ANGLE PROJECTION  
DRAWING TO BE READ IN CONJUNCTION WITH BS 8888

THIS DRAWING IS MESL MICROWAVE PROPERTY  
IT MAY NOT BE COPIED OR EXHIBITED WITHOUT WRITTEN PERMISSION

**MESL MICROWAVE**



Q.A. DATE  
PROD.REL. DATE  
ENG.APP. DATE  
MECH. ENG. DATE  
DRAWN AB. DATE

LIGHTLY REMOVE ALL BURRS AND SHARP EDGES U.O.S.  
ORIGINAL SCALE 1/1  
DO NOT SCALE PRINT  
DIMENSION IN mm  
CERTIFIED AT ISSUE  
MATERIAL SPECIFICATION  
FINISH BODY : BRIGHT NICKEL PLATED.

REF	DESCRIPTION	No OFF	CHAR.	POS.TOL	ISSUE	DATE	MOD NUMBER
RED (Development Only)							A 3
GENERAL TOLERANCE UNLESS OTHERWISE STATED ISO 2768-fH Symmetry ± 0,05					CONTRACTOR <b>MESL MICROWAVE</b>		SECURITY CLASSIFICATION
FINISH TO BE 1.6 UNLESS OTHERWISE STATED					RESPONSIBLE AUTHORITY		CONTRACTORS DRAWING NUMBER <b>9691-000-OL</b>
TITLE <b>OUTLINE DRG. FOR 450MHz PACKAGE DROP-IN ASSY. TYPE No HZA 9691</b>					SERVICE DRAWING NUMBER		SHEET No 1 OFF 1

A DRN 5149