



BNC Triax Female to BNC Triax Female Adapter 3 Lug

TECHNICAL DATA SHEET

PE91107

BNC Triax Female to BNC Triax Female Adapter 3 Lug

Configuration

Connector 1	BNC Triax Female
Impedance 1	Non-Constant
Connector 2	BNC Triax Female
Impedance 2	Non-Constant
Adapter Design	Standard
Body Style	Straight
Maximum Operating Voltage, Volts	500
Dielectric Withstanding Voltage, Vrms	1,500

Mechanical Specifications

Size

Length, in [mm]	1.35 [34.29]
Width/Dia., in [mm]	0.45 [11.43]

Connector 1

Type	BNC Triax Female
Inner Conductor Material and Plating	Gold
Outer Conductor Material and Plating	Nickel
Body Material and Plating	Nickel

Connector 2

Type	BNC Triax Female
Inner Conductor Material and Plating	Gold
Outer Conductor Material and Plating	Nickel
Body Material and Plating	Nickel

Compliance Certifications (visit www.Pasternack.com for current document)

RoHS Compliant	Yes
----------------	-----

Click the following link (or enter part number in "SEARCH" on website) to obtain additional part information including price, inventory and certifications: [BNC Triax Female to BNC Triax Female Adapter 3 Lug PE91107](#)

The information contained in this document is accurate to the best of our knowledge and representative of the part described herein. It may be necessary to make modifications to the part and/or the documentation of the part, in order to implement improvements. Pasternack reserves the right to make such changes as required. Unless otherwise stated, all specifications are nominal.





BNC Triax Female to BNC Triax Female Adapter 3 Lug

TECHNICAL DATA SHEET

PE91107

Plotted and Other Data

Notes:

Values at 25 °C, sea level

BNC Triax Female to BNC Triax Female Adapter 3 Lug from Pasternack Enterprises has same day shipment for domestic and International orders. Our RF, microwave and fiber optic products maintain a 99% availability and are part of the broadest selection in the industry.

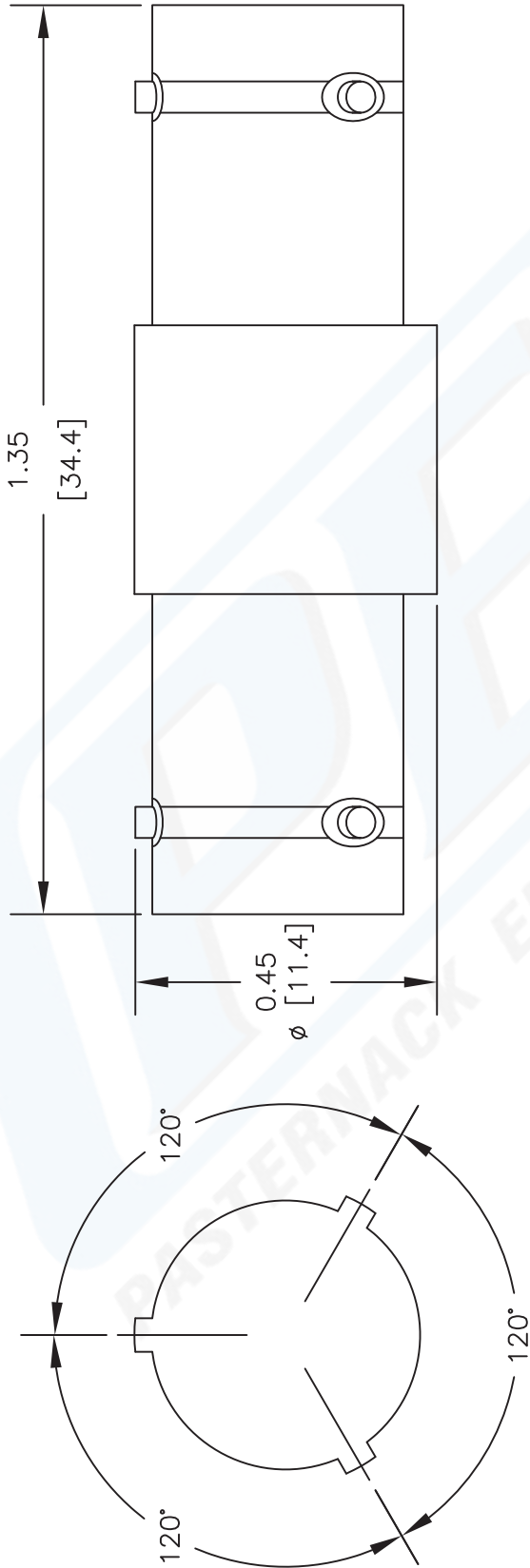
Click the following link (or enter part number in "SEARCH" on website) to obtain additional part information including price, inventory and certifications: [BNC Triax Female to BNC Triax Female Adapter 3 Lug PE91107](#)

URL: <http://www.pasternack.com/bnc-triax-female-bnc-triax-female-straight-adapter-pe91107-p.aspx>

The information contained in this document is accurate to the best of our knowledge and representative of the part described herein. It may be necessary to make modifications to the part and/or the documentation of the part, in order to implement improvements. Pasternack reserves the right to make such changes as required. Unless otherwise stated, all specifications are nominal.

PE91107 CAD Drawing

BNC Triax Female to BNC Triax Female Adapter 3 Lug



NOTES:
1. UNLESS OTHERWISE SPECIFIED ALL DIMENSIONS ARE NOMINAL.
2. ALL SPECIFICATIONS ARE SUBJECT TO CHANGE WITHOUT NOTICE AT ANY TIME.
3. DIMENSIONS ARE IN INCHES [mm].

DWG TITLE
PE91107

FSCM NO. 53919

150

SIZE A

SCALE N/A

CAD FILE 092513

PE PASTERNAK®
Pasternack Enterprises, Inc.
P.O. Box 16759 | Irvine | CA | 92623
Phone: (949) 261-1920 | Fax: (949) 261-7451
Website: www.pasternack.com | E-Mail: sales@pasternack.com