



RF-LAMBDA

The power beyond expectations

WR28 MANUAL CONTROL CONTINUOUS VARIABLE ATTENUATORS (26.5-40GHz 35DB RANGE)

Product description

- Broadband performance with compact package
- Continuous variable attenuation during operation
- Excellent Repeatability and Long Life Switch
- Low Deviation from Nominal Value
- 50Ω impedance standard upon request
- High power handle up to 10W CW
- Custom Configurations Available Upon Request.



Applications:

Include Communication, 3G, Digital Transmission, Radar, Military, Broadcast & Television, science & Research etc.

Part Number	Center Frequency	Bandwidth	Power (Watts)	Attenuation Range (dB)	Flatness	VSWR max.	Insertion Loss (dB)
RWMAT28D35	26.5-40	Full	10	35	Plot	1.20	<0.5

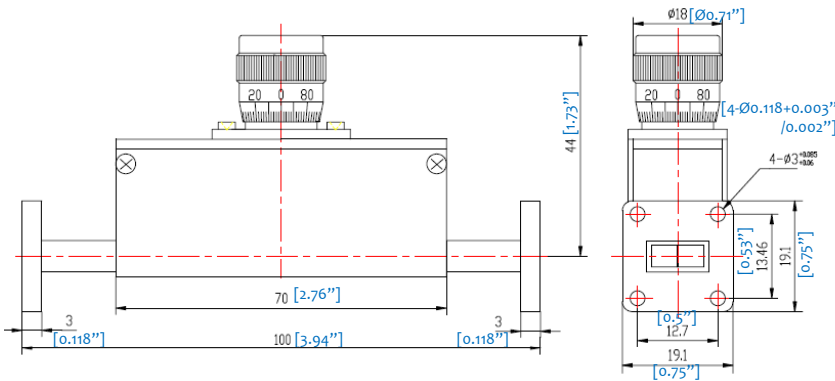
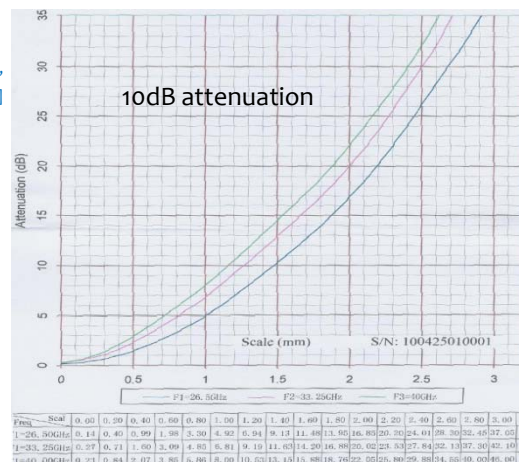
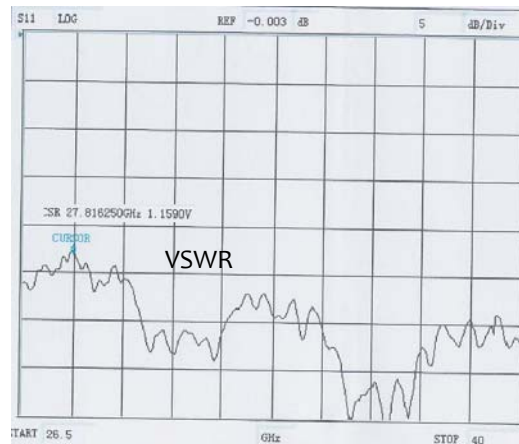
Connector: N type, weight: 2000g

Temperature

(Operational): -10° C~+50° C

(Storage) -40° C~+70° C

(Case temp) +85° C max. (FAN required)



MANUAL CONTROL ATTENUATOR (26.5-40GHz 35dB)