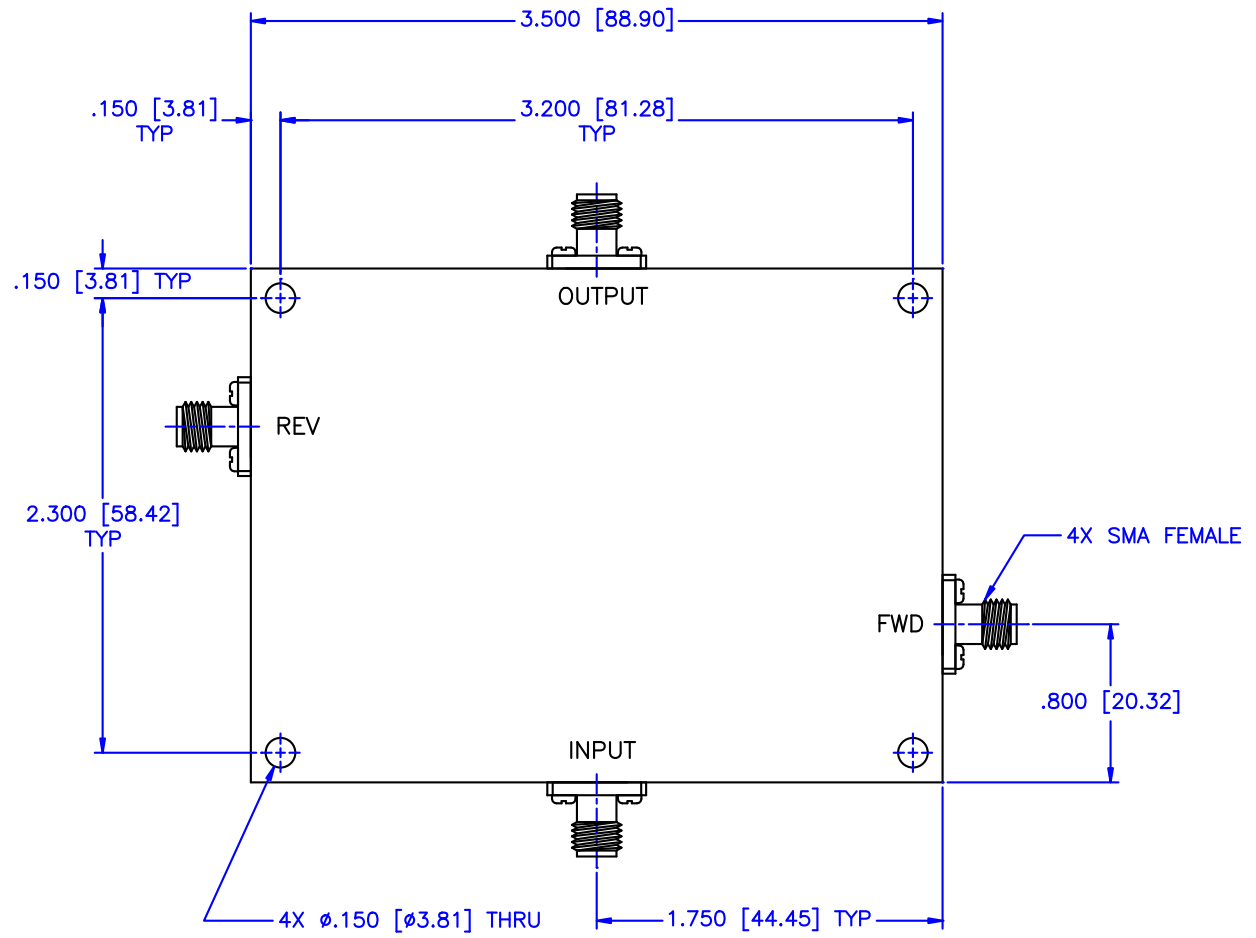
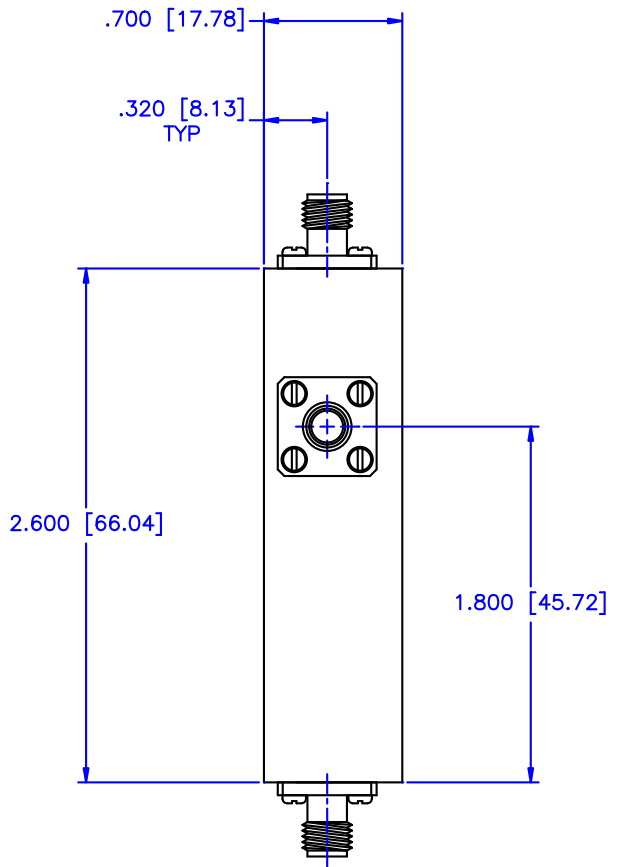


REVISIONS				
ZONE	REV	DESCRIPTION	DATE	APPROVED



SPECIFICATIONS

- FREQUENCY RANGE: 30–2500 MHz
- COUPLING: 43±1.0dB Nom.
- FLATNESS: ±1.50dB MAX.
- INSERTION LOSS: 0.35dB Max.
- DIRECTIVITY: 18dB Min.
- VSWR: 1.25:1 Max.
- POWER: 100 Watts CW

MATERIAL:			MICROWAVE COMMUNICATIONS LABORATORIES INC. 7255 30TH AVE. N. SAINT PETERSBURG, FL 33710 TEL: (727) 344-6254 FAX: (727) 381-6116 http://WWW.MCLI.COM		SCALE:	N/A
			UNLESS OTHERWISE SPECIFIED: TOLERANCES IN (INCHES) OR [mm] (MILLIMETERS) FRACTIONS: ± 1/64 DECIMALS: ±.01 ±.005 ANGLE: ±1/2°		DRAWING TITLE:	HIGH POWER DUAL DIRECTIONAL COUPLER
DRAWN:		DATE:	PART NO.		SHEET:	
Paiboon Luekhamhan		07-02-2012	HDL-53-40		N/A	
APPROVED:		DATE:	CAGE CODE:	SIZE:	REV:	DWG NO.
T. Nguyen		07-02-2012	OD2L5	A	N/A	86127
		THIRD ANGLE PROJECTION		DO NOT SCALE THE DRAWING		