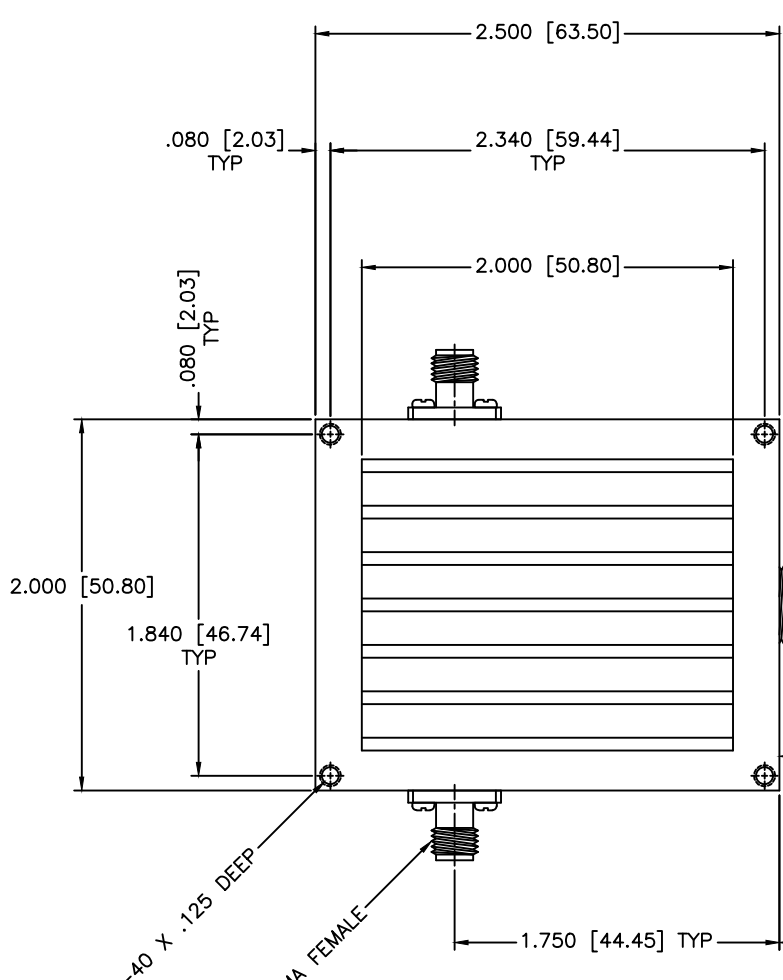
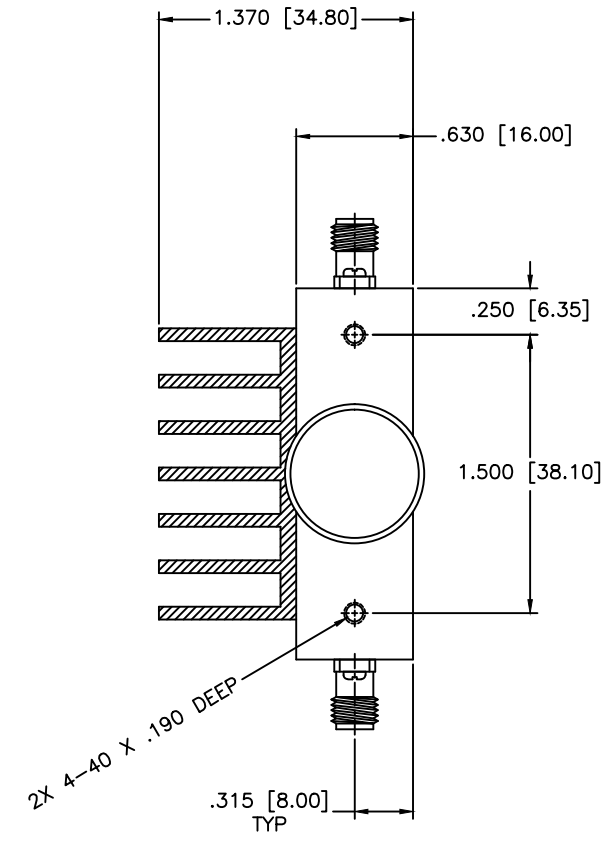


REVISIONS				
ZONE	REV	DESCRIPTION	DATE	APPROVED



THD 3/8-32 HUD
7/16 SHAFT-LOCKING NUT
Ø.250 INTERNAL SLOTTED SHAFT
CONTROL KNOB



4X 4-40 X .125 DEEP
2X SMA FEMALE

2X 4-40 X .190 DEEP

SPECIFICATION
 Frequency Range: 2-4.2 GHz
 Attenuation: 10dB
 Insertion Loss: 0.5 Max.
 VSWR: 1.50:1 Max.
 RF Power: 30W Average, 5kW Peak

MATERIAL:	
DRAWN: Paiboon Luekhamhan	DATE: 02-10-2011
APPROVED: T. Nguyen	DATE: 02-10-2011

MCLI MICROWAVE COMMUNICATIONS LABORATORIES INC.
 7255 30TH AVE. N. SAINT PETERSBURG, FL 33710
 TEL: (727) 344-6254 FAX: (727) 381-6116
 http://WWW.MCLI.COM

SCALE:	N/A
SHEET:	N/A

UNLESS OTHERWISE SPECIFIED: TOLERANCES IN (INCHES) OR [mm] (MILLIMETERS) FRACTIONS: ± 1/64 DECIMALS: ±.015 ANGLE: ±1/2°	DRAWING TITLE: CONTINUOUSLY VARIABLE ATTENUATOR, HIGH POWER
PROPRIETARY NOTICE: THE INFORMATION IN THIS DRAWING IS PROPRIETARY AND SHALL NOT BE USED OR DISCLOSED WITHOUT WRITTEN PERMISSION FROM MICROWAVE COMMUNICATIONS LABORATORIES INC. (MCLI)	PART NO. HA30-5-10
THIRD ANGLE PROJECTION	CAGE CODE: OD2L5
	SIZE: A REV: N/A DWG NO.: 85485
	DO NOT SCALE THE DRAWING