

75 Ohm TNC Male to TNC Female Right Angle Adapter



TECHNICAL DATA SHEET

PE9623

75 Ohm TNC Male to TNC Female Right Angle Adapter
Configuration

Connector 1	TNC Male
Impedance 1	75 Ohms
Connector Specification 1	MIL-C-39012
Connector 2	TNC Female
Impedance 2	75 Ohms
Connector Specification 2	MIL-C-39012
Adapter Design	Standard
Body Style	Right Angle
Maximum Operating Voltage, Volts	500
Dielectric Withstanding Voltage, Vrms	1,500

Mechanical Specifications
Temperature

Operating Range, deg C	-65 to +165
------------------------	-------------

Size

Length, in [mm]	0.8 [20.32]
Width/Dia., in [mm]	0.59 [14.99]
Height, in [mm]	1.025 [26.04]

Connector 1

Type	TNC Male
Inner Conductor Material and Plating	Silver
Inner Conductor Plating Specification	QQ-S-365
Coupling Nut Material and Plating	Brass, Nickel
Body Material and Plating	Brass, Nickel
Dielectric Type	Teflon

Connector 2

Type	TNC Female
Inner Conductor Material and Plating	Silver
Inner Conductor Plating Specification	QQ-S-365
Body Material and Plating	Brass, Nickel
Dielectric Type	Teflon

Compliance Certifications (visit www.Pasternack.com for current document)

RoHS Compliant	Yes
----------------	-----

Click the following link (or enter part number in "SEARCH" on website) to obtain additional part information including price, inventory and certifications: [75 Ohm TNC Male to TNC Female Right Angle Adapter PE9623](#)

The information contained in this document is accurate to the best of our knowledge and representative of the part described herein. It may be necessary to make modifications to the part and/or the documentation of the part, in order to implement improvements. Pasternack reserves the right to make such changes as required. Unless otherwise stated, all specifications are nominal.

75 Ohm TNC Male to TNC Female Right Angle Adapter



TECHNICAL DATA SHEET

PE9623

Plotted and Other Data

Notes:

Values at 25 °C, sea level

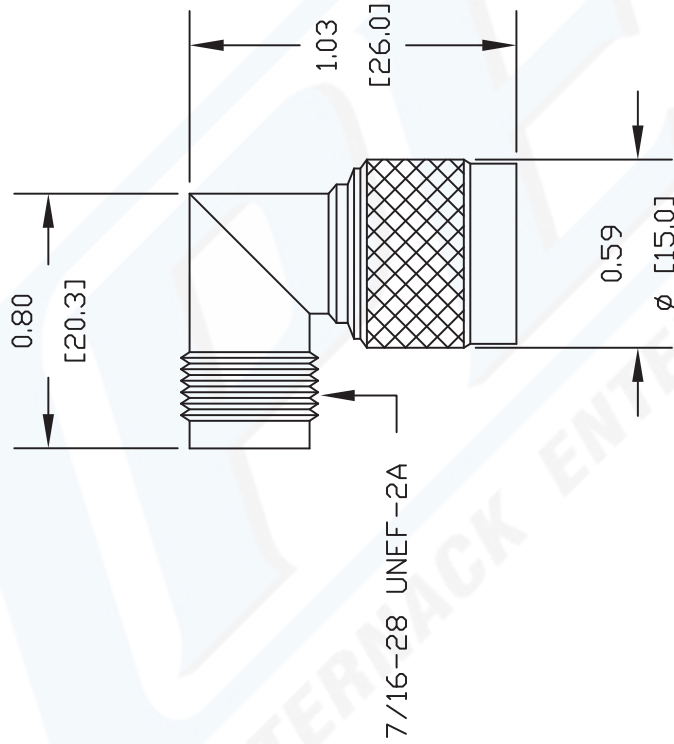
URL: <http://www.pasternack.com/tnc-male-tnc-female-right-angle-adapter-pe9623-p.aspx>

75 Ohm TNC Male to TNC Female Right Angle Adapter from Pasternack Enterprises has same day shipment for domestic and International orders. Our RF, microwave and fiber optic products maintain a 99% availability and are part of the broadest selection in the industry.

The information contained in this document is accurate to the best of our knowledge and representative of the part described herein. It may be necessary to make modifications to the part and/or the documentation of the part, in order to implement improvements. Pasternack reserves the right to make such changes as required. Unless otherwise stated, all specifications are nominal.

PE9623 CAD Drawing

75 Ohm TNC Male to TNC Female Right Angle Adapter



NOTES:
1. UNLESS OTHERWISE SPECIFIED ALL DIMENSIONS ARE NOMINAL.
2. ALL SPECIFICATIONS ARE SUBJECT TO CHANGE WITHOUT NOTICE AT ANY TIME.
3. DIMENSIONS ARE IN INCHES (mm).

DWG TITLE
PE9623

REV. -

FSCM NO. 53919

CAD FILE 100302

SCALE N/A

SIZE A

127

PASTERNAK ENTERPRISES, INC.
P.O. BOX 16759, IRVINE, CA 92623
PHONE (949) 261-1920 FAX (949) 261-7451
WEB ADDRESS: www.pasternack.com
E-MAIL ADDRESS: sales@pasternack.com
COAXIAL & FIBER OPTICS

