



50 Ohm N Circulator Operating From 698 MHz to 960 MHz And 1000 Watts With 18 dB Isolation

TECHNICAL DATA SHEET

PE8419

Pasternack's RF Circulators and Isolators are available in high and low power versions with SMA or N-type connectors. These Circulators and isolators have a minimum isolation of 18 dB and power ratings from 10 to 1,000 Watts. The frequency range coverage is between 380 MHz and 2.2 GHz covering LTE, AWS, PCS and WiMax frequency bands. VSWR is <1.3:1 and the insertion loss maximum is 0.35 dB

- Designs available from 380 MHz to 2.2 GHz covering Tetra, LTE, AWS, PCS, ISM and WiMax Bands
- Isolators provide added protection to amplifiers and transmitters connected to high mismatch circuits
- Circulators are perfect for duplexer applications requiring at least 18 dB of isolation between transmit and receive ports
- Circulators, in combination with a higher wattage termination, are usable for higher power isolator protection

Configuration

Connector 1	N Female
Connector 2	N Female
Connector 3	N Female
Frequency Range	698 MHz to 960 MHz
Design	Circulator

Electrical Specifications (Values at 25°C, sea level)

Description	Minimum	Typical	Maximum	Units
Frequency Range	698		960	MHz
Impedance		50		Ohms
Insertion Loss			0.35	dB
Forward Power			1	KWatts
Reverse Power			1	KWatts
Input VSWR			1.3:1	
Isolation	18			dB

Mechanical Specifications

Temperature

Operating Range -20 to 70 deg C

Size

Length 2 in [50.8 mm]
 Width 1.75 in [44.45 mm]
 Height 1.02 in [25.91 mm]

Compliance Certifications (visit www.Pasternack.com for current document)

RoHS Compliant Yes

Click the following link (or enter part number in "SEARCH" on website) to obtain additional part information including price, inventory and certifications: [50 Ohm N Circulator Operating From 698 MHz to 960 MHz And 1000 Watts With 18 dB Isolation PE8419](#)

The information contained in this document is accurate to the best of our knowledge and representative of the part described herein. It may be necessary to make modifications to the part and/or the documentation of the part, in order to implement improvements. Pasternack reserves the right to make such changes as required. Unless otherwise stated, all specifications are nominal.





50 Ohm N Circulator Operating From 698 MHz to 960 MHz And 1000 Watts With 18 dB Isolation

TECHNICAL DATA SHEET

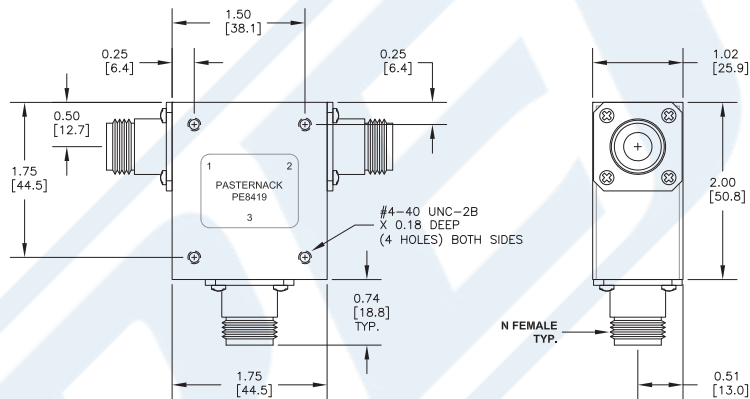
PE8419

Plotted and Other Data

Notes:

- Values at 25 °C, sea level

Outline Drawing



50 Ohm N Circulator Operating From 698 MHz to 960 MHz And 1000 Watts With 18 dB Isolation from Pasternack Enterprises has same day shipment for domestic and International orders. Our RF, microwave and fiber optic products maintain a 99% availability and are part of the broadest selection in the industry.

Click the following link (or enter part number in "SEARCH" on website) to obtain additional part information including price, inventory and certifications: [50 Ohm N Circulator Operating From 698 MHz to 960 MHz And 1000 Watts With 18 dB Isolation PE8419](http://www.pasternack.com/50-ohm-n-circulator-698-960-mhz-1000-watts-18-db-pe8419-p.aspx)

URL: <http://www.pasternack.com/50-ohm-n-circulator-698-960-mhz-1000-watts-18-db-pe8419-p.aspx>

The information contained in this document is accurate to the best of our knowledge and representative of the part described herein. It may be necessary to make modifications to the part and/or the documentation of the part, in order to implement improvements. Pasternack reserves the right to make such changes as required. Unless otherwise stated, all specifications are nominal.

