



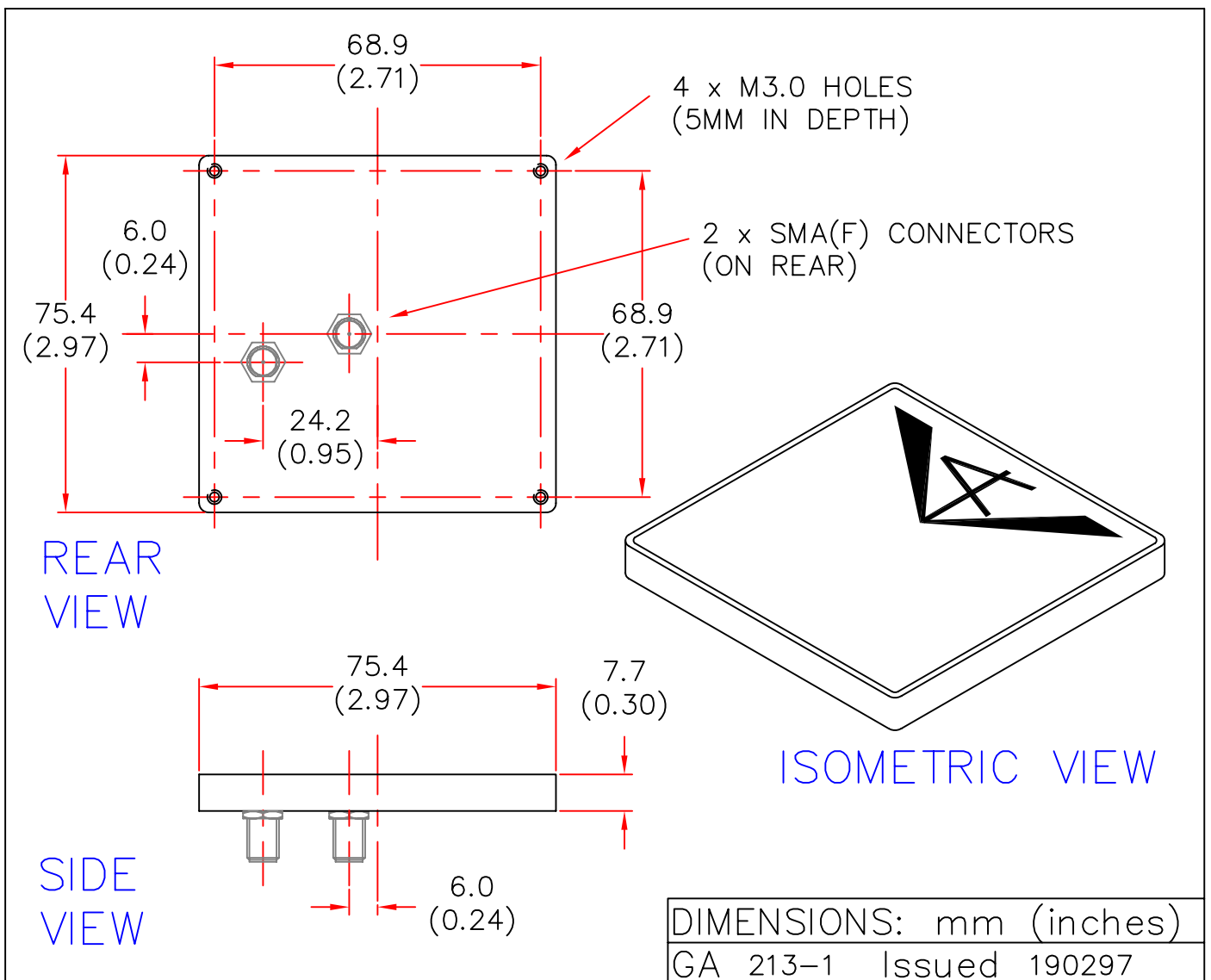
EUROPEAN ANTENNAS



FLAT PANEL ANTENNA

MODEL: FPA13-9550VH-D1/213

FREQUENCY: 9.0 – 10.0 GHz	GAIN: 13 dBi Both polarisations
POLARISATION: Dual Linear (Horiz. & Vert.)	BEAMWIDTH: 40° x 40° Both polarisations
CROSS POLAR: 20 dB	VSWR: 1.5 : 1 Typ. 2 : 1 Max.
POWER RATING: 5 W	FRONT TO BACK: 20 dB
TEMPERATURE: -20°C to +50°C	MASS: 0.15 Kg/5.3 Oz
RADOME: Glass Fibre/Dark Brown	WIND LOADING: 0.92Kg/2.0lbs @100mph



EUROPEAN ANTENNAS LTD.

TEL: +44 (0)1638 731888

LAMBDA HOUSE, CHEVELEY,
NEWMARKET, SUFFOLK, CB8 9RG,
UNITED KINGDOM.

FAX: +44 (0)1638 731999

European Antennas Ltd. has a policy of continuous development and therefore stress that the data contained on this sheet should be used for guidance only.