

Drop-in Isolators

Part Number: KTDI-0702M1

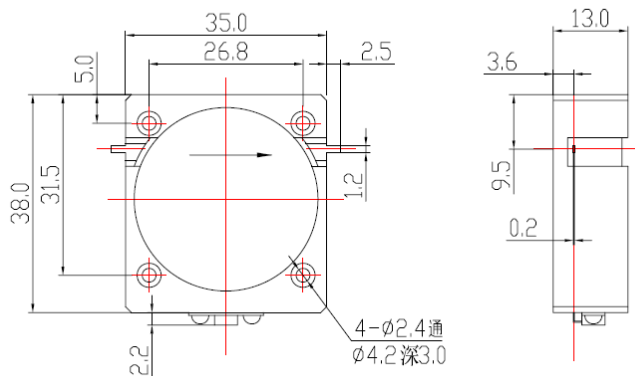
Main Features:

- Frequency Range: 0.4 - 0.6GHz, 0.6 - 0.8GHz
- Small Size, High Isolation, Low Insertion Loss, High Power Handling
- Wide Operating Temperature : -15°C~+60°C, -30°C~+70°C
- Commercial, Military and Space Applications

Electrical Specifications at Room Temperature:

Part Number	Freq. Range (GHz)	Bandwidth Max. (MHz)	Insertion Loss Max. (dB)	Isolation Min. (dB)	VSWR Max.	Reverse Power (W)	Connector Type
KTDI-0702M1	0.4 - 0.6	10	0.3	25	1.20	10	TAB
KTDI-0702M1	0.6 - 0.8	30	0.3	25	1.20	10	TAB

Mechanical Dimensions (mm):



HOW TO ORDER

