



PRECISION TYPE N 75 OHM COAXIAL CONNECTORS

CRITICAL INTERFACE DIMENSIONS

4 JAN 94

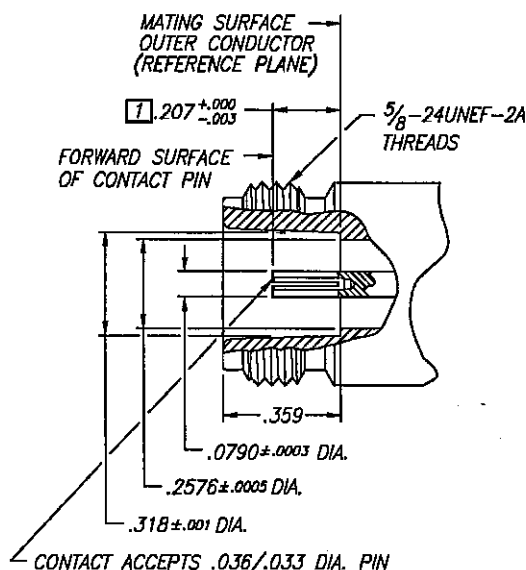


FIGURE 1: FEMALE TYPE N 75 OHM CONNECTOR

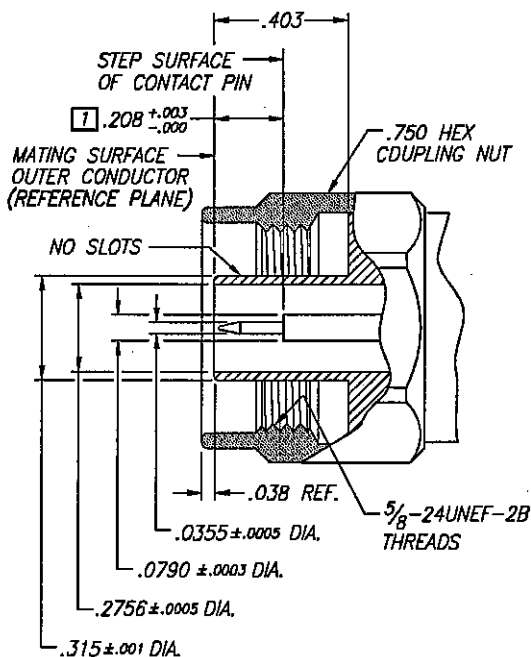


FIGURE 2: MALE TYPE N 75 OHM CONNECTOR

DESCRIPTION

Maury Type N 75 ohm connectors are a precision version developed by Maury which meets all applicable requirements of IEC169-16. They exhibit extremely low VSWR, and, although currently specified to 2 GHz, they can be used at much higher frequencies. Also, the male connectors are provided with a 3/4 Hex. coupling nut so the junctions can be properly torqued to 12 in./lbs. (use torque wrench Model 2698C1).

Maury N 75 ohm connectors are provided with a black radial band so they can be visually recognized to prevent improper mating with N 50 ohm connectors. See Figure 3 below.

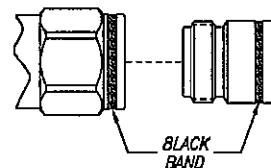


FIGURE 3: BLACK BAND MARKING
INDICATING 75 OHM CONNECTORS

CAUTION

Do not mate Type N 75 ohm connectors to Type N 50 ohm connectors. Mating a N 75 ohm female connector to an N 50 ohm male connector will destroy the contact on the N 75 ohm female connector. Mating a N 75 ohm male connector to a N 50 ohm female connector will not provide proper electrical contact for the center conductors.

1 Maury Microwave Corp. Connector Gage Kit Model A020G is designed to properly gage the contact pin locations of these connectors.

MAURY MICROWAVE CORPORATION
PRECISION MICROWAVE INSTRUMENTS & COMPONENTS

2900 INLAND EMPIRE BLVD
ONTARIO, CALIFORNIA 91764
TEL: 909-987-4715 • FAX: 909-987-1112

ENGINEERING DATA

5E-054