



EUROPEAN ANTENNAS

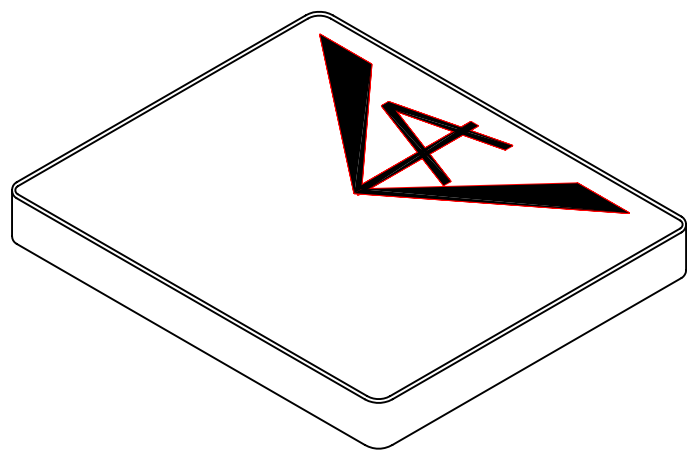
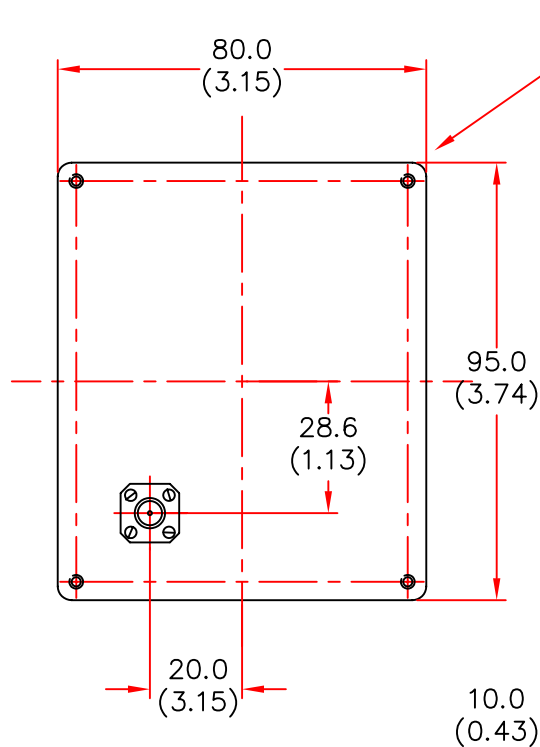


FLAT PANEL ANTENNA

MODEL: FPA16-109V-D1/186

FREQUENCY: 10.50 – 11.30 GHz	GAIN: 13.5 dBi
POLARISATION: Linear (Vertical)	BEAMWIDTH: 30° x 30°
POWER RATING: 10 W	VSWR: 1.5:1 Typical, 2:1 Max
TEMPERATURE: -20°C to +50°C	MASS: 200 g/7 oz
RADOME: Dark Brown	WIND LOADING: 1.2Kg/2.7lbs@100mph

REAR
VIEW



ISOMETRIC VIEW

END
VIEW

SMA(F) CONNECTOR
ON REAR

DIMENSIONS: mm (inches)

GA 186-2 Issued 231204

EUROPEAN ANTENNAS LTD.

TEL: +44 (0)1638 731888

LAMBDA HOUSE, CHEVELEY,
NEWMARKET, SUFFOLK, CB8 9RG,
UNITED KINGDOM.

FAX: +44 (0)1638 731999

European Antennas Ltd. has a policy of continuous development and therefore stress that the data contained on this sheet should be used for guidance only.