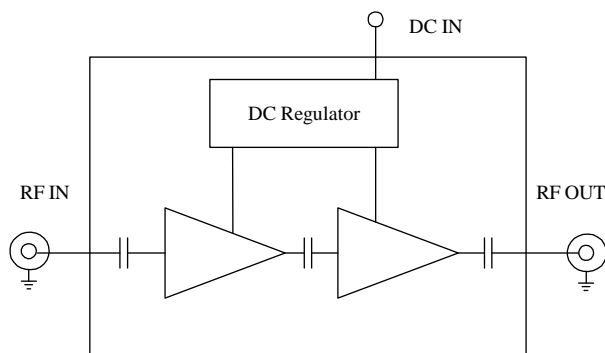


Features:

- Octave bandwidth, specification from 2.0~4.0GHz, usable from 1.0~5.0 GHz
- Low noise figure, and high gain, low VSWR, unconditional stable
- Small size, low cost
- SMA female connector I/O
- Single DC power supply, internal voltage regulator, operating voltage from +6~+12V
- Operating temperature -40~+75°C, storage temperature -55~+85°C



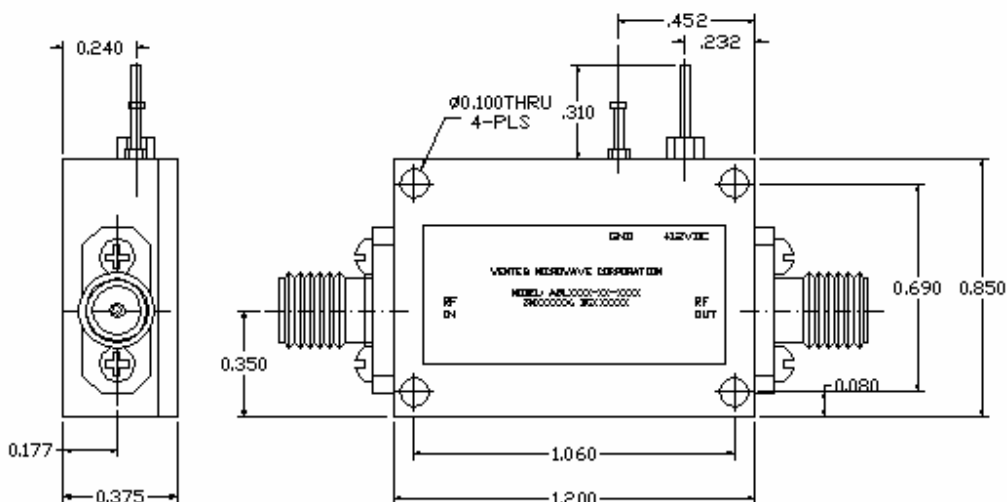
Functional Diagram



Electrical Specifications

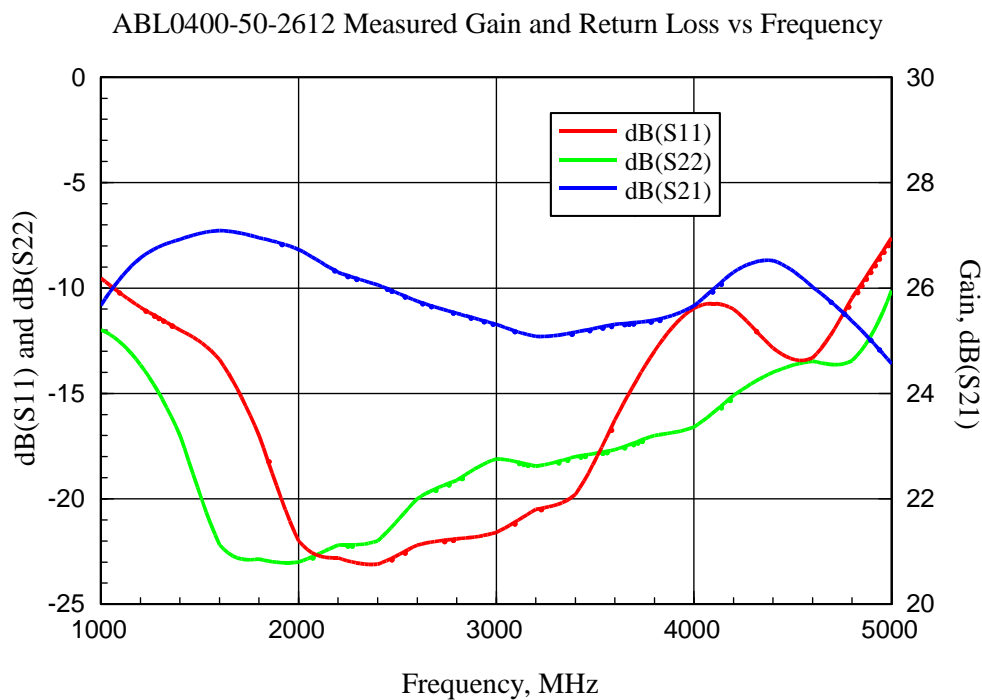
PARAMETERS	MINIMUM	TYPICAL	MAXIMUM
Frequency Range, MHz	2000 MHz		4000 MHz
Noise Figure		1.2 dB	1.5 dB
P-1dB Compression Point	10 dBm	12.0 dBm	
Nominal Gain@Room Temp	24.5 dB	26.0 dB	27.5 dB
Gain flatness		+/-1.0 dB	+/-1.2 dB
Gain Variation over Temp		+/-1.0dB	
Input VSWR		1.5:1	2.0:1
Output VSWR		1.4:1	2.0:1
Reverse Isolation		45 dB	
Spurious			-60 dBc
Operating Temperature	-40°C		+85°C
Survival Temperature	-55°C		+125°C
DC Power Supply Voltage	+6 V		+12 V
DC Power Supply Current		50 mA	
In/Out connectors		SMA female	
Size		1.2"x0.85"x0.375	

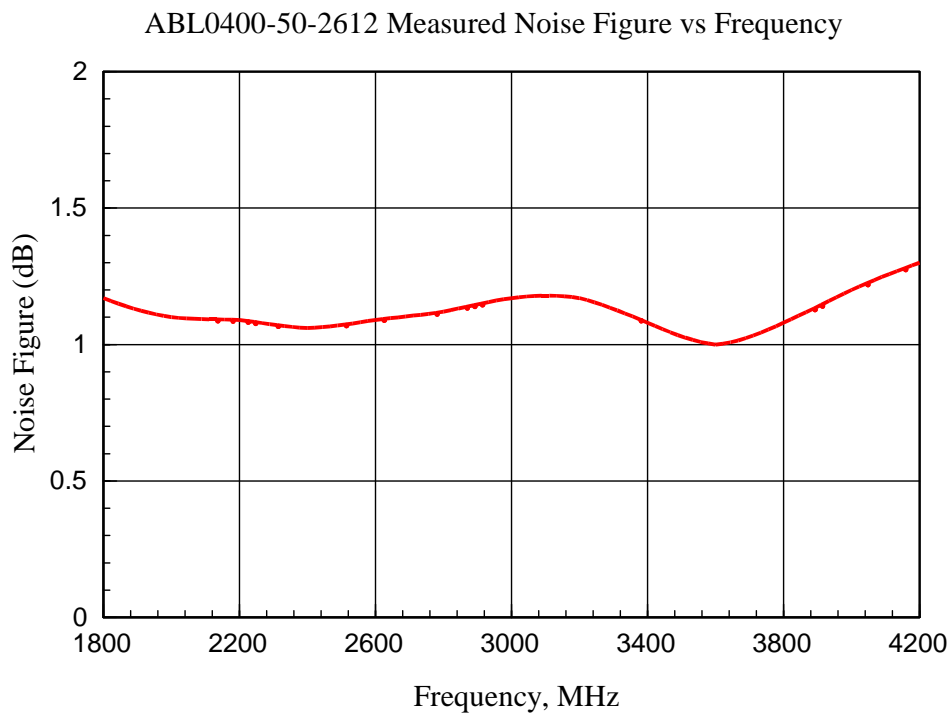
Mechanical Structure:



Note: All units in inches.

Typical Test Results:





Absolute Maximum Ratings

DC Voltage	+12V
RF Input Power	+10dBm
Storage Temperature	-55~+125°C
Operating Temperature	-40~+85°C