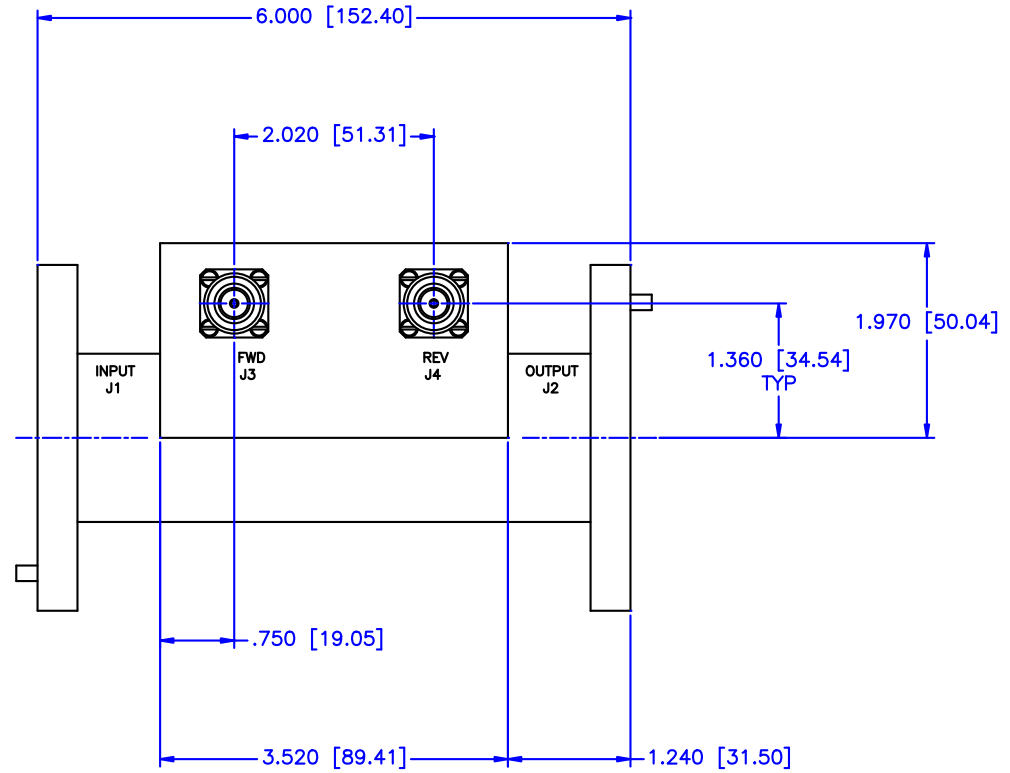
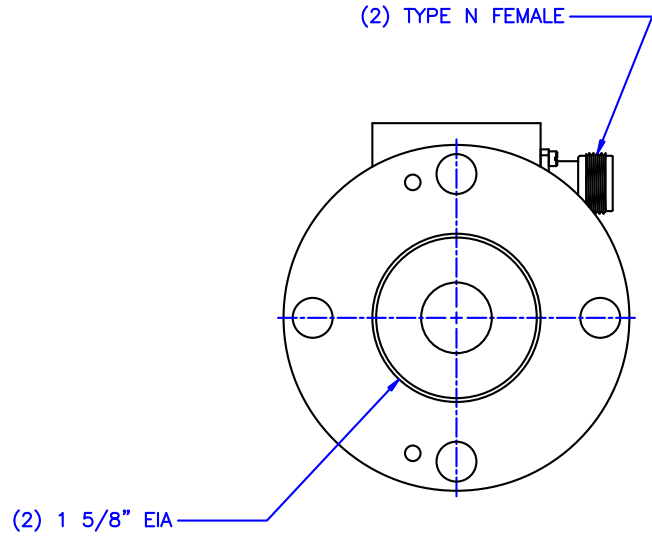


REVISIONS				
ZONE	REV	DESCRIPTION	DATE	APPROVED



SPECIFICATIONS:

- FREQUENCY RANGE: 1-50 MHz
- FLATNESS: ± 0.50 dB
- INSERTION LOSS: 0.05dB Max.
- DIRECTIVITY: 30dB Min.
- VSWR: 1.05:1 Max.
- POWER: 10kW CW

MATERIAL:		MCLI MICROWAVE COMMUNICATIONS LABORATORIES INC. 7255 30TH AVE. N. SAINT PETERSBURG, FL 33710 TEL: (727) 344-6254 FAX: (727) 381-6116 http://WWW.MCLI.COM	SCALE: N/A
DRAWN: Paiboon Luekhamhan			SHEET: N/A
DATE: 01-04-2011		UNLESS OTHERWISE SPECIFIED: TOLERANCES IN (INCHES) OR [mm] (MILLIMETERS) FRACTIONS: $\pm 1/64$ DECIMALS: $\pm 0.01 \pm 0.005$ ANGLE: $\pm 1/2^\circ$	DRAWING TITLE: HIGH POWER DUAL DIRECTIONAL COUPLER
APPROVED: T. Nguyen		DATE: 01-04-2011	PART NO.: HDL-17-70
THIRD ANGLE PROJECTION		CAGE CODE: OD2L5	SIZE: C
		REV: N/A	DWG NO.: 85188
		DO NOT SCALE THE DRAWING	