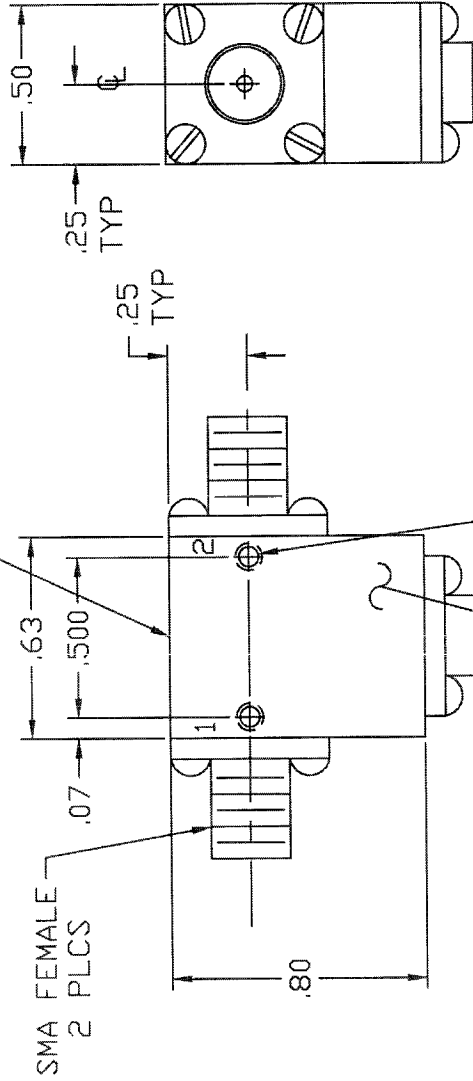


REV.	DESCRIPTION	DATE	APPROVED
NC	INITIAL RELEASE		

LABEL WITH MODEL NO.  
AND SERIAL NUMBER  
THIS SURFACE



SPECIFICATIONS

1. FREQUENCY RANGE: 12.0 - 15.0 GHZ
2. VSWR: 1.25:1 MAX
3. ISOLATION: 20 dB MIN
4. INSERTION LOSS: 0.5 dB MAX
5. TEMPERATURE: -54° TO +100°C



SIERRA MICROWAVE TECHNOLOGY

OUTLINE FOR SMI1215

FRACTIONS DECIMALS ANGLES  
# XXX .0E .E  
.XXXE .0D

APPROVALS	DATE		
DRAWN			
CHECKED			
ISSUED			
MATERIAL			
FINISH			
204-0229-001	SMI1215		
NEXT ASSY	USED ON		
SCALE			
SIZE	FSCN NO.	DWG. NO.	REV.
B	1CY63	205-1625-001	

APPLICATION