

KR 2584 Bandpass Filter

General Description

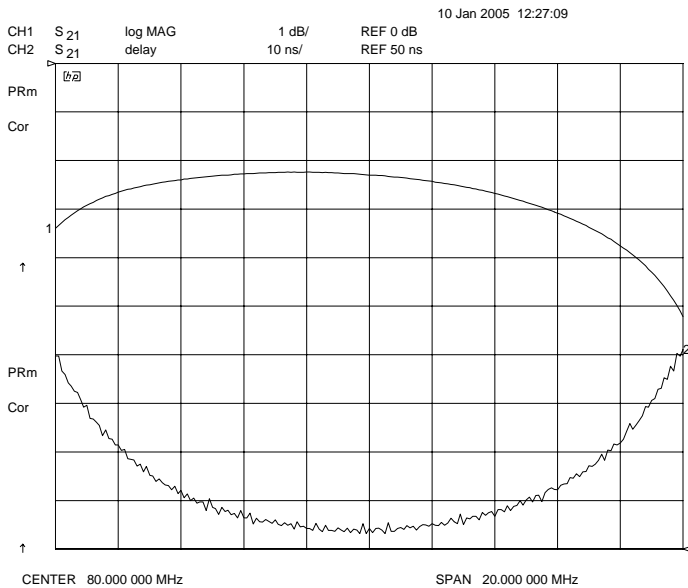
KR 2584 is a 80 MHz surface mount bandpass filter. Other center frequencies and bandwidths available. Please consult the factory.

Features

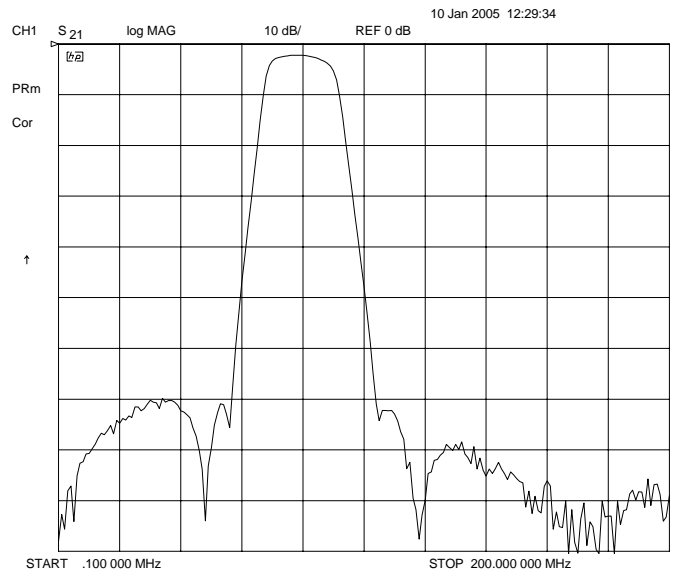
- Surface Mount Package
- Sharp Transition to Stopband
- >60 dB Stopband
- 50 Ω Source and Load

Typical Performance

Passband Amplitude & Group Delay
(1 dB/div & 10 nsec/div)



Overall Response
(10 dB/div)



KR Electronics, Inc.
91 Avenel Street
Avenel, NJ 07001

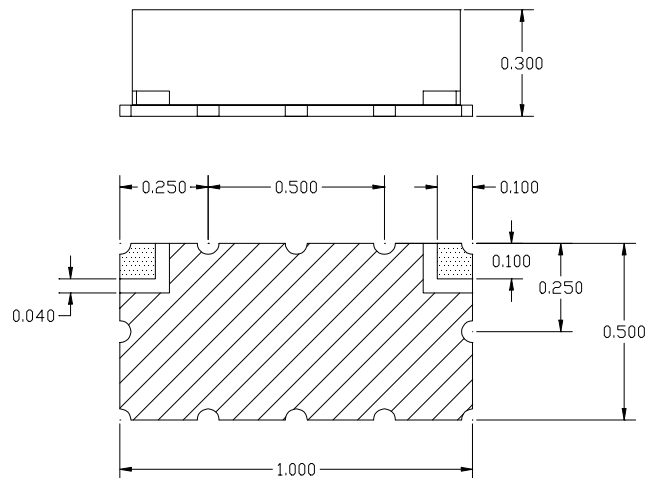
Web www.krfilters.com
Email sales@krfilters.com
Phone (732) 636-1900
Fax (732) 636-1982

KR 2584 Bandpass

Specifications

Parameter	Specification
Filter type	Bandpass
Center Frequency	80 MHz
Insertion Loss	< 5 dB (< 3 dB typical)
Minimum 2 dB Passband	72 MHz to 88 MHz
Attenuation 56 MHz	> 60 dB
Attenuation 104 MHz	> 60 dB
Source and Load	50 Ω

Physical Dimensions



Notes:

1. Surface mount package — Metal cover, open frame
2. Dimensions in inches
3. Use SN60 or SN63 solder during installation
4. If boards are cleaned after installation, units must be completely dried to remove any entrapped moisture that will effect electrical performance