

**Specifications**

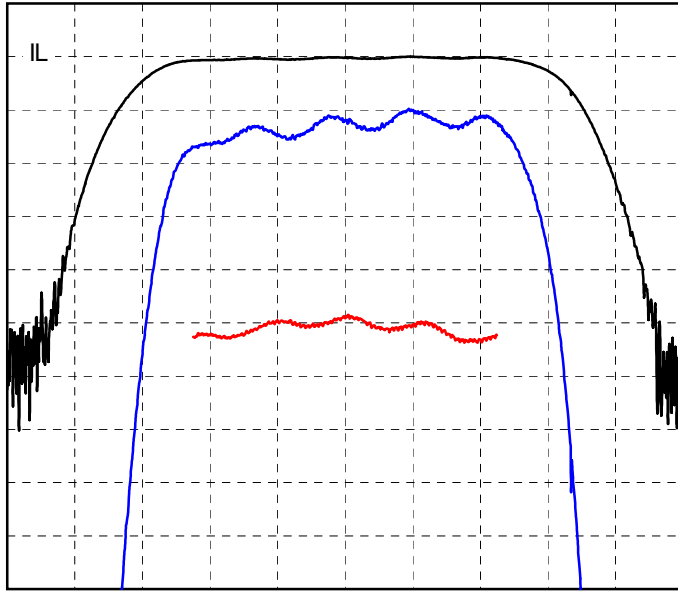
Parameter	Unit	Min	Typical	Max
Center Frequency (F0)	MHz		100	
Bandwidth (B)	MHz		30	
Delay (T0)	μsec	2.54	2.555	2.56
Insertion Loss (IL)	dB		25.3	27
Amplitude Ripple	dB p-p		0.8	1.2
Phase Ripple	deg p-p		5.3	8
Spurious for  t-T0 >.9T0	dB		-56	-50
Substrate Material		YZ-LN		

**Notes:**

- Center Frequency (F0) and Bandwidth (B) are defined, not measured.
- Insertion Loss is the minimum loss for  $|f-F0| < .5B$
- Ripple spec applies to  $|f-F0| < .4B$ , and is doubled for  $.4B < |f-F0| < .5B$
- Specifications are at 22C only. Unit will operate undamaged from -54C to 125C with shifts  $dF0 = -x \cdot F0$ ,  $dT0 = x \cdot T0$ , where  $x = 94E-6 \cdot (\text{temperature} - 22C)$

**Typical Performance**

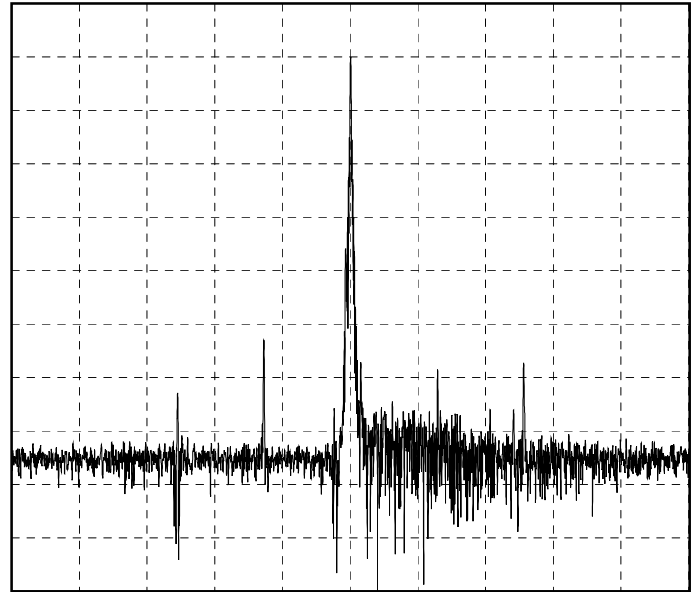
**Frequency Response**  
(Best Fit Linear Phase Removed)



10 dB/div, 1 dB/div, 10 deg/div, 6 MHz/div

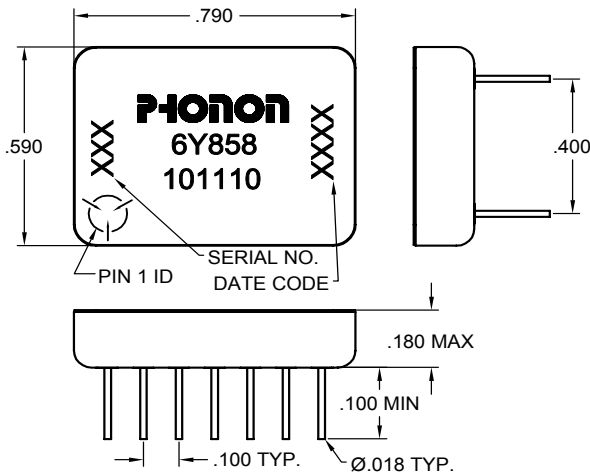
**Impulse Response**

FFT(Frequency Response \* Cos(0.5 \* PI \* MIN(1, MAX(0, |f-F0| \* 2.0/35 - 1.0)))^2)

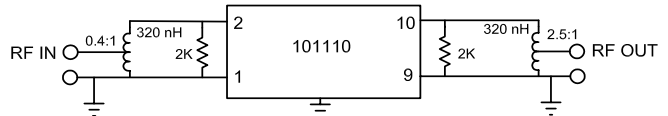


10 dB/div, 2 us/div

**Package Outline**



**Matching**



Matched S-parameters available at [www.phonon.com](http://www.phonon.com)