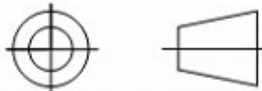


SERVICE DRAWING NUMBER
SECURITY CLASSIFICATION

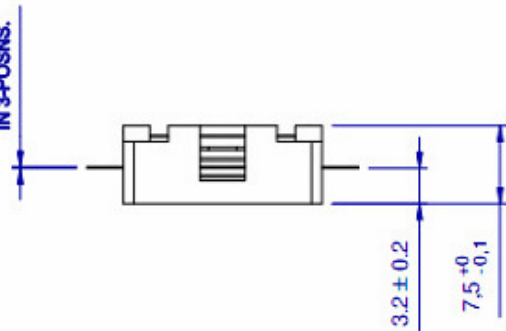
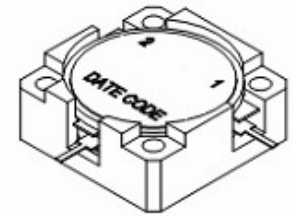
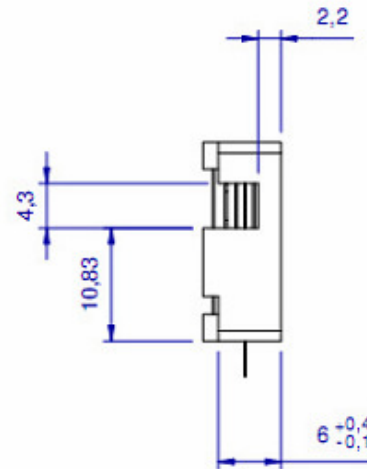
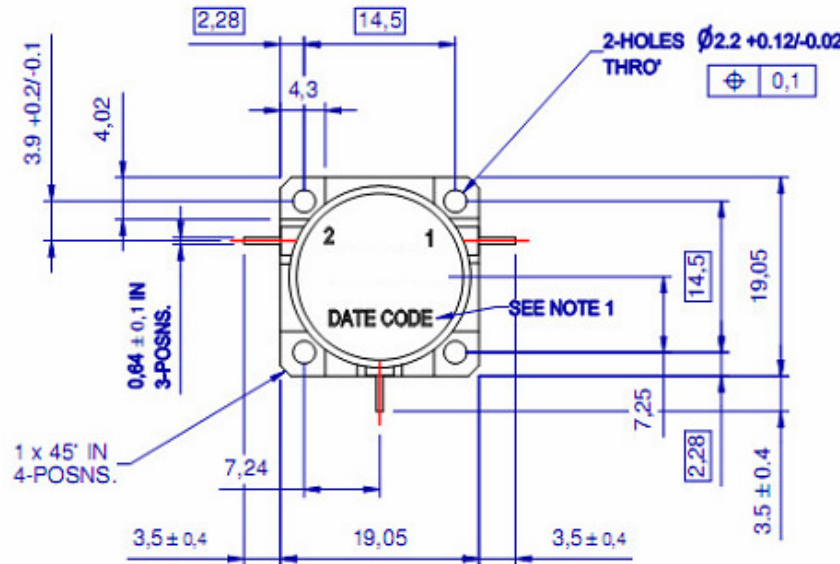
3rd ANGLE PROJECTION



THIS DRAWING IS MESL MICROWAVE PROPERTY
IT MAY NOT BE COPIED OR EXHIBITED WITHOUT WRITTEN PERMISSION

MESL MICROWAVE

DRAWING TO BE READ IN CONJUNCTION WITH BS 8888



NOTES :

THIS UNIT IS ROHS COMPLIANT BY DESIGN.

Q.A. DATE
PROD.REL. DATE
ENG.APP. JG. DATE
MECH. ENG. DATE
DRAWN AB. DATE

LIGHTLY REMOVE ALL BURRS AND SHARP EDGES U.O.S.

ORIGINAL SCALE 2/1
DO NOT SCALE PRINT
DIMENSION IN mm
MATERIAL
SPECIFICATION
FINISH BODY : BRIGHT NICKEL PLATED.
SPECIFICATION

REF	DESCRIPTION	No OFF	CHAR.	POS.TOL.	ISSUE	DATE	MOD NUMBER
GREEN (Fully Released)							A 3
GENERAL TOLERANCE UNLESS OTHERWISE STATED ± 0.25 Symmetry ± 0,05		CONTRACTOR MESL MICROWAVE		SECURITY CLASSIFICATION			
FINISH TO BE 1.6 UNLESS OTHERWISE STATED		RESPONSIBLE AUTHORITY J.Gillies.		CONTRACTORS DRAWING NUMBER 9382-000-OL			
		TITLE PACK. DROP-IN CIRCULATOR		SERVICE DRAWING NUMBER		SHEET No 1 OFF 1	

4	9382-ECN-10616
3	GEN-ECN-10137
2	GEN-ECN-9858
1	DRN 4911