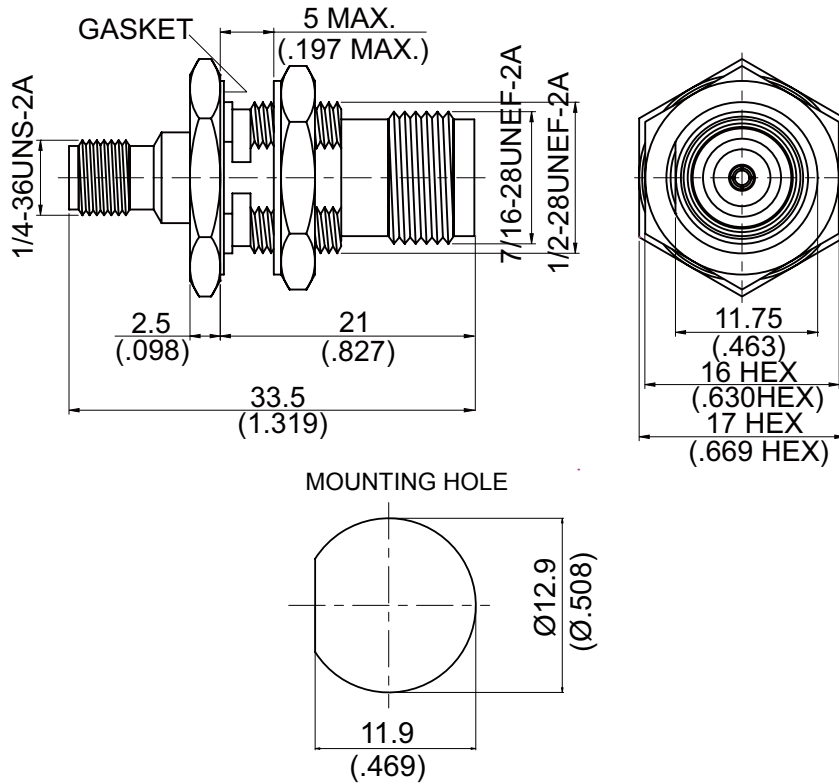


AD-A8T8-BF

SMA Jack To TNC Jack For Bulkhead 50Ω



Typical VSWR

Part Number	1 GHz	2 GHz	3~5 GHz
AD-A8T8-BF	1.05	1.10	1.14
	6~9 GHz	10 GHz	/
	1.20	1.22	/

NOTE: RECOMENDED TNC TORQUE 12~15 in.-lbs.

Parts	Material	Plating (Micro-inch)
Hex Nut	Brass	Tin-Zinc-Copper-Alloy 100 Over Copper 50
Washer	Brass	Tin-Zinc-Copper-Alloy 100 Over Copper 50
Gasket	Silicon	
Contact Pin	Beryllium Copper	Gold 20 Over Nickel 50 Over Copper 50
Insulator	Teflon	
Body (TNC)	Brass	Tin-Zinc-Copper-Alloy 100 Over Copper 50
Body (SMA)	Brass	Gold 5 Over Nickel 50 Over Copper 50

Weight: 18.43 g

This part number complies with RoHS.

Notice: JYBAO reserves the right to make modifications deemed appropriate.