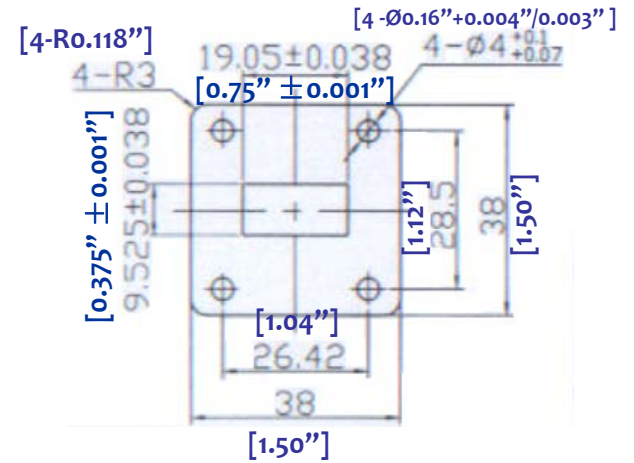
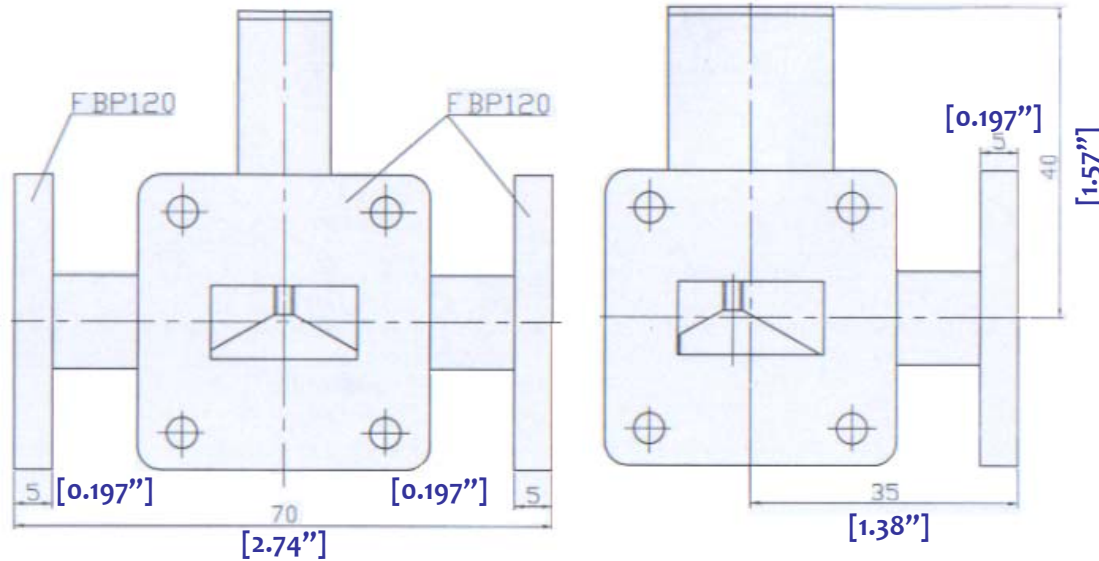
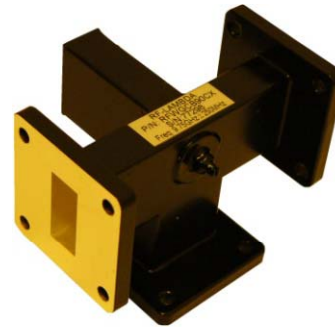


WAVEGUIDE WR75 MAGIC TEE POWER COMBINER- RWCB75W2T



3.0 Electrical Specifications		
3.1	Frequency Range	10~15GHz
3.2	Combiner output	200W (CW)
3.3	Peak Power	1KW (8us pulse)
3.4	Coupling	3dB
3.5	VSWR	1.20 : 1
3.6	Amp Balance	0.5dB
3.7	Insertion Loss	0.8dB

1.0 Mechanical Specifications		
1.1	Waveguide type	Rectangular Waveguide WR75
1.2	Flange type	COVER (Other type available)
1.3	Flange Holes	Through
1.4	Basis-material	Aluminum or Cuprum Alloyed
1.5	Internal Body Finish	Silver Plated chromate or conversion
1.6	External Body Finish	Body painted with gray/black epoxy enamel

2.0 Environment specifications		
2.1	Operation Temp.	-40°C~+85°C
2.2	Storage Temp.	-60°C~+125°C
2.3	Altitude	45000 ft
2.4	Vibration	10g rms (15 degree 2KHz)
2.5	Humidity	100% RH at 35c, 95%RH at 40 deg c
2.6	Shock	20G for 11msc

PAGE 1 OF 1

DATE Aug 23rd 2003

DESIGN RFPC

RF-LAMBDA RFPC

CAD MODEL REVISION 10

ASSEMBLY REVISION VS2DS

ASSEMBLY NAME RFLVR02


DRAWING NUMBER D01-1

www.rflambda.com

RF-LAMBDA

SIZE LT

SHEETS 1 OF 1


**RWCB75W2T
WAVEGUIDE MAGIC
TEE COMBINER**