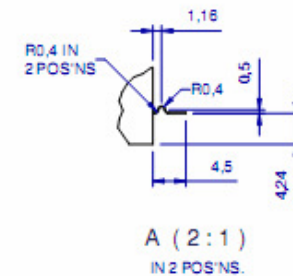
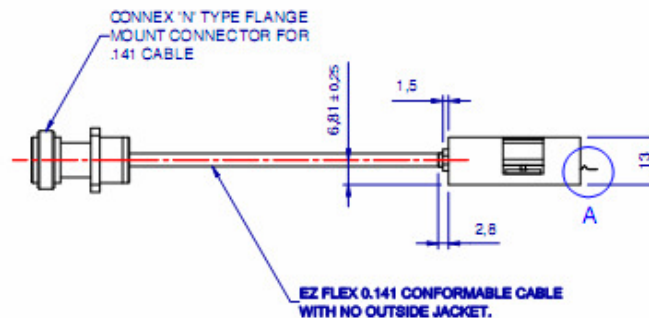
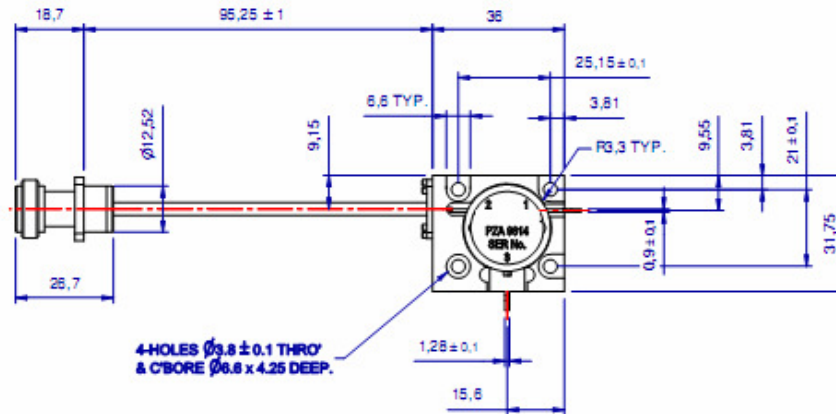
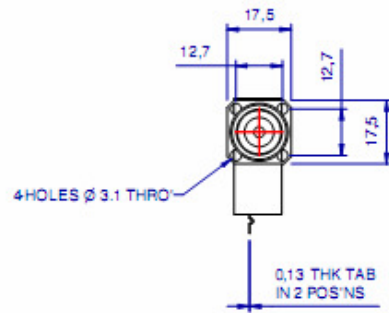
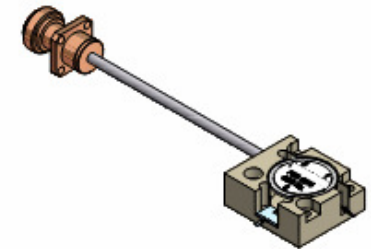


SERVICE DRAWING NUMBER
SECURITY CLASSIFICATION

3rd ANGLE PROJECTION  
DRAWING TO BE READ IN CONJUNCTION WITH BS 8888

THIS DRAWING IS MESL MICROWAVE PROPERTY
IT MAY NOT BE COPIED OR EXHIBITED WITHOUT WRITTEN PERMISSION

MESL MICROWAVE



ELECTRICAL SPECIFICATIONS:

FREQUENCY : 921 - 980 MHz
 INSERTION LOSS : 0.30 dB TYP. 0.35dB OVER THE TEMP RANGE.
 COUPLING VALUE, OUTPUT TO COUPLED PORT : 30± 1 dB
 ISOLATION, INPUT TO OUTPUT : 23 dB TYP. 20dB OVER THE TEMP RANGE
 RETURN LOSS, ALL PORTS : 23 dB TYP. 20dB OVER THE TEMP RANGE
 IMD : -79 dBc MAX. FOR 2 CW TONES ANYWHERE IN THE BAND 35 WATTS EACH CARRIER SPACING OF 5 AND 20 MHz
 OPERATING TEMPERATURE RANGE : -25°C TO +100°C
 FORWARD POWER : 100 WATTS
 REVERSE POWER : 100 WATTS
 VARIATION IN COUPLED PORT POWER : ± 0.75 dB WITH OUTPUT PORT PHASE ANGLE

NOTES:
1. THIS UNIT IS ROHS COMPLIANT BY DESIGN.

Q.A.	DATE
PROD REL	DATE
ENG APP.	DATE
MECH. ENG	DATE
DRAWN S.W.	DATE

LIGHTLY REMOVE ALL BURRS AND SHARP EDGES U.O.S.

ORIGINAL SCALE 1:1	MATERIAL	SPECIFICATION
DO NOT SCALE PRINT DIMENSION IN		
mm	FINISH	SPECIFICATION
CERTIFIED AT ISSUE	BODY : SILVER PLATED.	

REF	DESCRIPTION	No OFF	CHAR.	POS.TOL	ISSUE	DATE	MOD NUMBER
RED (Development Only)							
CONTRACTOR MESL MICROWAVE							SECURITY CLASSIFICATION
RESPONSIBLE AUTHORITY							CONTRACTORS DRAWING NUMBER
TITLE OUTLINE DRG FOR 30dB OUTPUT ISO-ATTENUATOR WITH CABLE ASSY TYPE PZA 9814							SERVICE DRAWING NUMBER
FINISH TO BE 1.5 ✓							SHEET No 1
UNLESS OTHERWISE STATED							OFF 1

F	DRN
---	-----

A 2

SHEET No 1 OFF 1