



Zero Biased W Band Waveguide Detector, WR-10, Negative Video Out, 75 GHz to 100 GHz, UG-387/U

TECHNICAL DATA SHEET

PE80T3000

The PE80T3000 is a W Band Waveguide Detector. The Detector operates in the 75 GHz to 100 GHz Frequency Range and has a Negative Output with a Sensitivity of -300 mV/mW Minimum and -600 mV/mW Typical. The unit operates over a 0°C to +50°C Temperature Range and has a Maximum Input Power Rating of +20 dBm. The Detector has a WR-10 Waveguide with UG-387/U Flange as the RF connector and the DC Output Port uses an SMA Female Connector.

Features

- Frequency: 75 GHz to 100 GHz
- Sensitivity: -300 mV/mW Minimum; -600 mV/mW Typical
- Maximum Power Input 20 dBm
- RF Connector WR-10 Waveguide with UG 387/U Flange

Applications

- Test Lab
- Military Communications
- Commercial Communications

Electrical Specifications

Description	Minimum	Typical	Maximum	Units
Frequency Range	75		100	GHz
Voltage Sensitivity	-300	-600		mV/mW
Input Power			+20	dBm

Mechanical Specifications

Temperature

Operating Range 0 to +50 deg C

Size

Length 1.24 in [31.5 mm]

Width 1 in [25.4 mm]

Height 0.75 in [19.05 mm]

Weight 0.0625 lbs [28.35 g]

RF Connector WR-10 Waveguide with UG-387/U Flange

DC Connector SMA Female

Compliance Certifications (visit www.Pasternack.com for current document)

Not RoHS Compliant

Plotted and Other Data

Notes:

- Values at +25 °C, sea level

Click the following link (or enter part number in "SEARCH" on website) to obtain additional part information including price, inventory and certifications: [Zero Biased W Band Waveguide Detector, WR-10, Negative Video Out, 75 GHz to 100 GHz, UG-387/U PE80T3000](#)

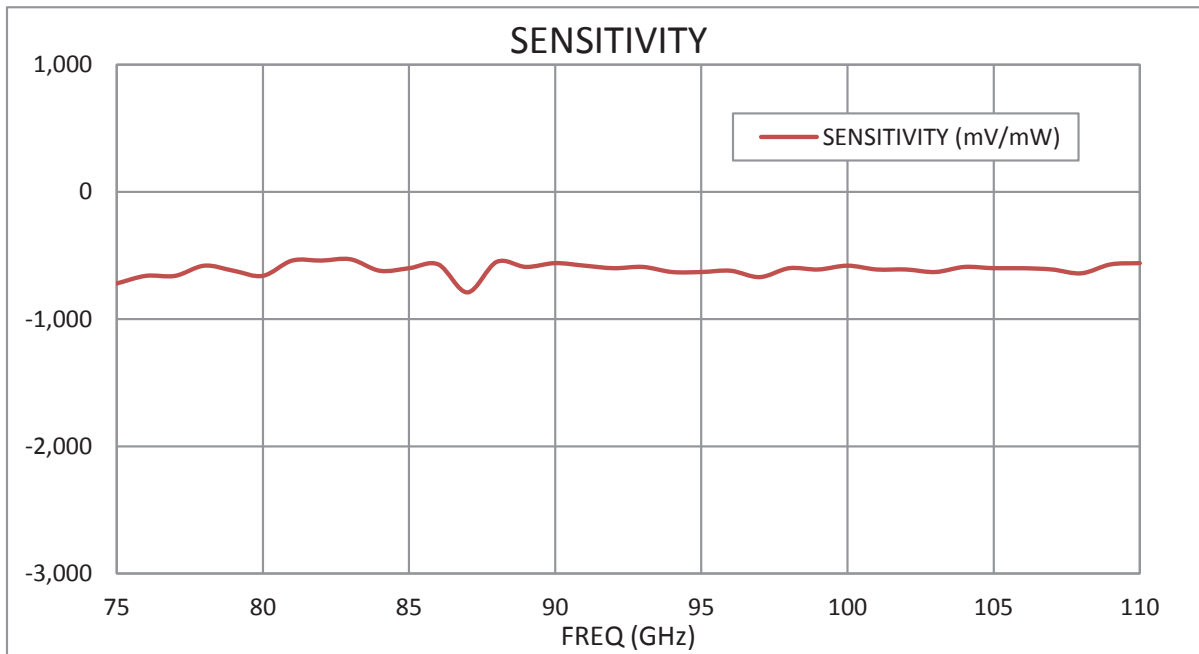


Zero Biased W Band Waveguide Detector, WR-10,
Negative Video Out, 75 GHz to 100 GHz, UG-387/U

TECHNICAL DATA SHEET

PE80T3000

Typical Performance Data



Zero Biased W Band Waveguide Detector, WR-10, Negative Video Out, 75 GHz to 100 GHz, UG-387/U from Pasternack Enterprises has same day shipment for domestic and International orders. Our RF, microwave and millimeter wave products maintain a 99% availability and are part of the broadest selection in the industry.

Click the following link (or enter part number in "SEARCH" on website) to obtain additional part information including price, inventory and certifications: [Zero Biased W Band Waveguide Detector, WR-10, Negative Video Out, 75 GHz to 100 GHz, UG-387/U PE80T3000](http://www.pasternack.com/zero-biased-w-band-waveguide-detector-wr-10-negative-75-100-ghz-pe80t3000-p.aspx)

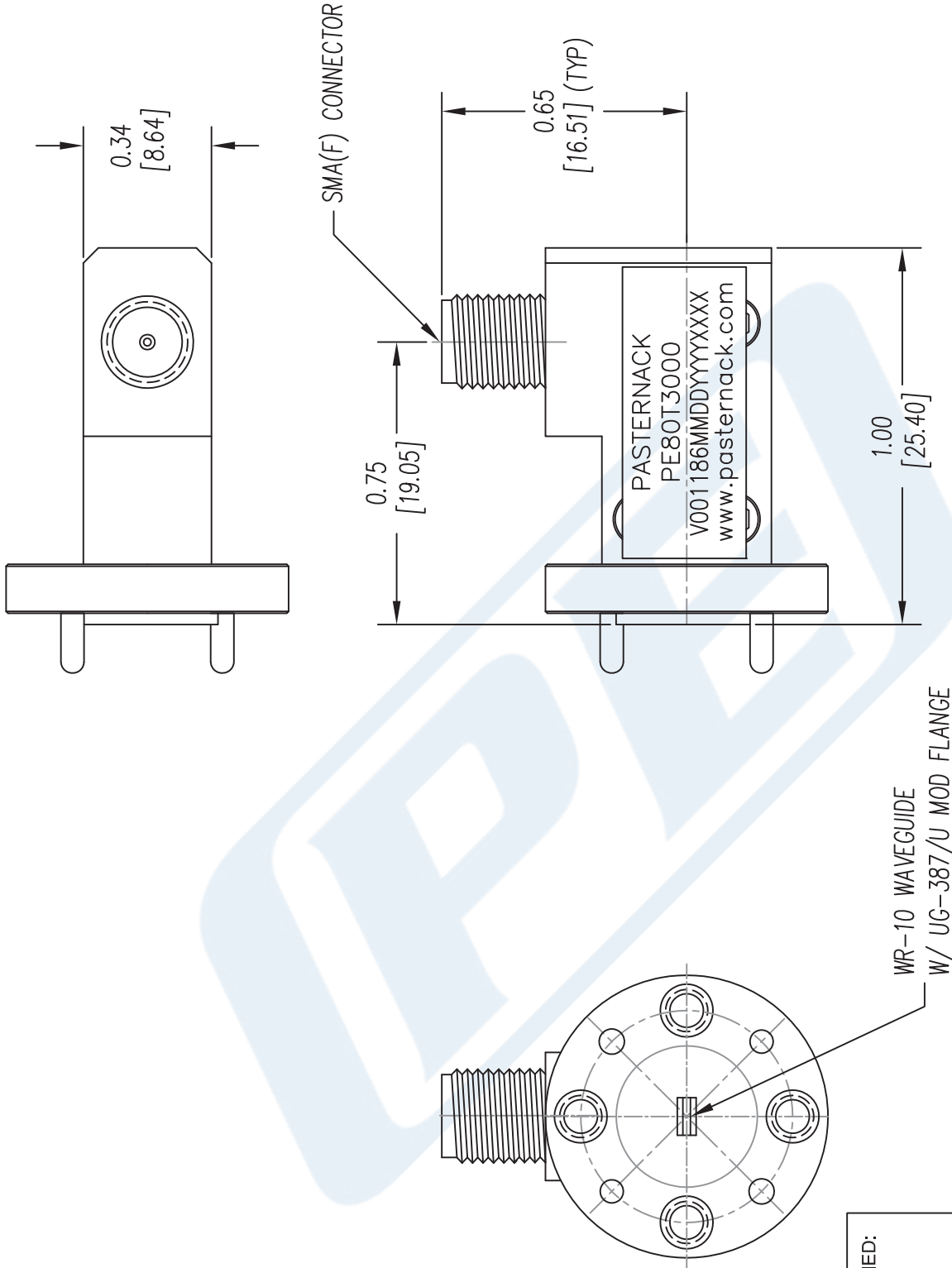
URL: <http://www.pasternack.com/zero-biased-w-band-waveguide-detector-wr-10-negative-75-100-ghz-pe80t3000-p.aspx>

The information contained in this document is accurate to the best of our knowledge and representative of the part described herein. It may be necessary to make modifications to the part and/or the documentation of the part, in order to implement improvements. Pasternack reserves the right to make such changes as required. Unless otherwise stated, all specifications are nominal. Pasternack does not make any representation or warranty regarding the suitability of the part described herein for any particular purpose, and Pasternack does not assume any liability arising out of the use of any part or documentation.



PE80T3000 CAD Drawing

Zero Biased W Band Waveguide Detector, WR-10, Negative
Video Out, 75 GHz to 100 GHz, UG-387/U



UNLESS OTHERWISE SPECIFIED:
DIMENSIONS ARE IN: inches
TOLERANCES ARE: [mm]
.XX ± .01 [±.25]
.XX ± .001 [±.025]

* THESE DIMENSIONS AND TOLERANCES
SUPERSEDE NOTE #1 ON TITLE BLOCK.

<p>NOTES:</p> <ol style="list-style-type: none"> UNLESS OTHERWISE SPECIFIED ALL DIMENSIONS ARE NOMINAL. ALL SPECIFICATIONS ARE SUBJECT TO CHANGE WITHOUT NOTICE AT ANY TIME. DIMENSIONS ARE IN INCHES [mm]. 	
<p>DWG TITLE</p> <h2>PE80T3000</h2>	
<p>FSCM NO. 53919</p>	<p>CAD FILE 071715</p>
<p>SCALE N/A</p>	<p>SIZE A</p>
<p>2233</p>	

(PE) PASTERNAK®
THE ENGINEER'S RF SOURCE
Pasternack Enterprises, Inc.
P.O. Box 16759 | Irvine | CA | 92623
Phone: (949) 261-1920 | Fax: (949) 261-7451
Website: www.pasternack.com | E-Mail: sales@pasternack.com