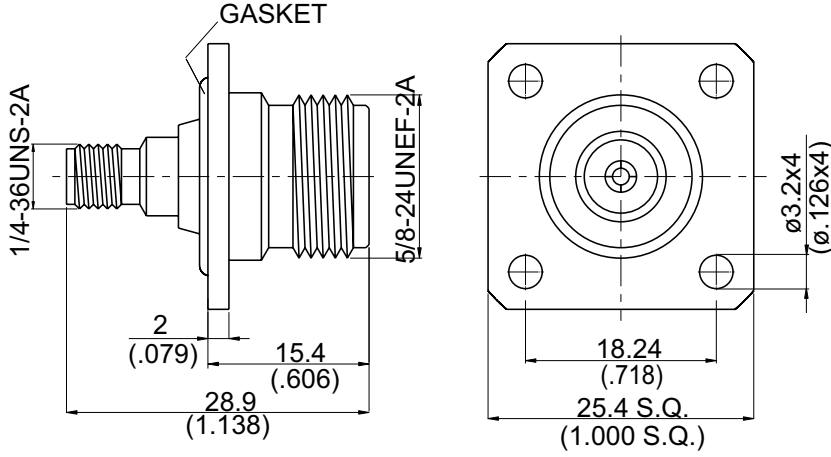
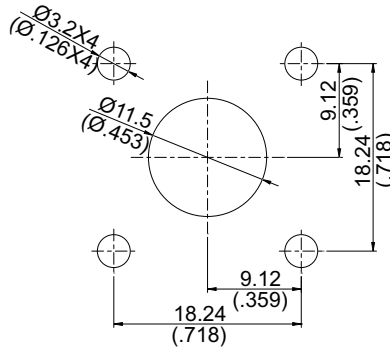


AD-A8N8-P4

SMA Jack To N Jack For Panel Receptacle 50Ω



MOUNTING HOLE :



Typical VSWR

Part Number	1~8 GHz	9 GHz
AD-A8N8-P4	1.12	1.13

Parts	Material	Plating (Micro-inch)
Gasket	Silicon	
Center Pin	Phosphor Bronze	Gold 10 Over Nickel 50 Over Copper 50
Insulator	Teflon	
Body(SMA)	Brass	Gold 5 Over Nickel 50 Over Copper 50
Body(N)	Brass	Tin-Zinc-Copper-Alloy 100 Over Copper 50

Weight: 27.22 g

This part number complies with RoHS.

Notice: JYEBAO reserves the right to make modifications deemed appropriate.