

ALL DIMENSIONS IN INCHES UNLESS OTHERWISE SPECIFIED.
 ALL LENGTH DIMENSIONS TOLERANCE $\pm 0.010"$ UNLESS OTHERWISE SPECIFIED.
 ALL DIAMETER DIMENSIONS TOLERANCE $\pm 0.005"$ UNLESS OTHERWISE SPECIFIED.

MATERIAL: ALUMINUM 6061-T6 OR EQUIVALENT.
 FINISH: GREY ACRYLLIC PAINT.

PROPERTY OF WERBEL MICROWAVE LLC

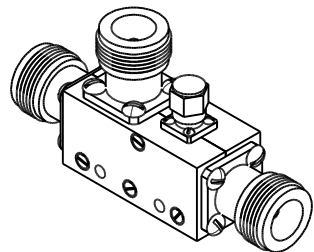
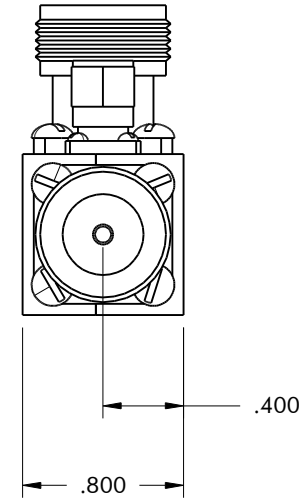
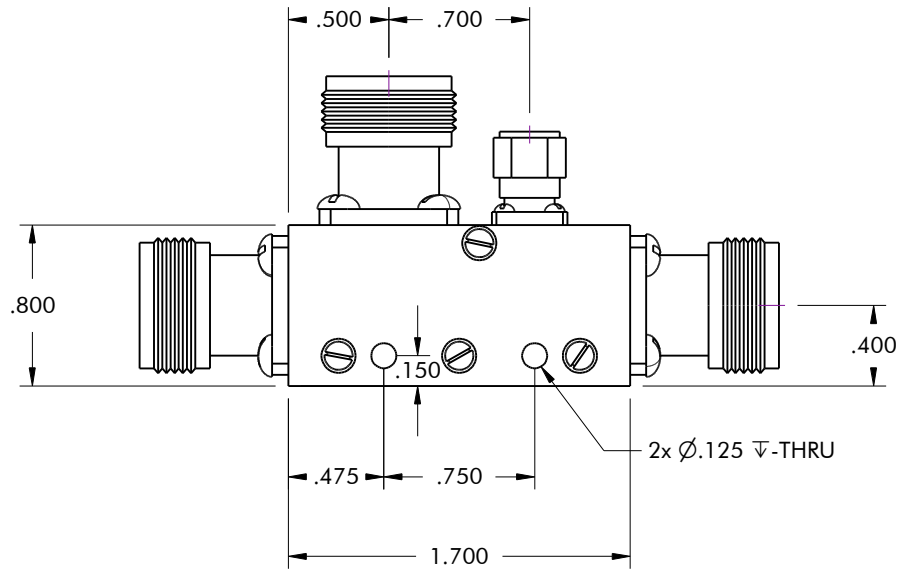
ELECTRICAL SPECIFICATIONS

Frequency MC	Part No.	Coupling dB	VSWR :1	Directivity dB	Loss dB	Power W
4,000-8,000	6CN600	6 \pm 1.00	1.30	18	1.9	4
	10CN600	10 \pm 1.25	1.30	20	0.9	10
	20CN600	20 \pm 1.25	1.30	20	0.3	50
	30CN600	30 \pm 1.25	1.30	20	0.3	50

NOTES

- A.) Specified power for load VSWR better than 1.20:1.
- B.) Materials selected for target intermodulation performance of -153 dBc.
- C.) Operating temperature from -10 to +65 °C. Tested at 25 °C.
- D.) Indoor use only.

REVISIONS				
ZONE	REV	DESCRIPTION	DATE	APPROVED
	1	Housing redesign.	9/2/2014	E. Werbel
	1.1	Revised temperature specification.	10/29/2014	E. Werbel



WERBEL MICROWAVE, LLC 51 Chestnut Street Livingston, N.J. 07039 Tel. (973) 900-2480 Fax. (973) 716-9430	DRAWN E. Werbel	DATE 9/2/2014				
	CHECKED					Directional Coupler Series CN600 4,000-8,000MHz, N-Female
sales@werbelmicrowave.com www.WerbelMicrowave.com	QA		SIZE A	CAGE CODE 78YZ0	DWG NO. CN600SS	REV 1.1
	APPROVED		SCALE 1:1	SHEET 1 of 1		