



50 Ohm 2.4mm DC Block Operating From 100 MHz to 50 GHz

TECHNICAL DATA SHEET

PE8239

50 Ohm 2.4mm DC Block Operating From 100 MHz to 50 GHz

Configuration

Design	Inner/Outer DC Block
Body Style	Straight
Impedance	50 Ohms
Connector 1	2.4mm Male
Connector 2	2.4mm Female

Electrical Specifications

Frequency Range, GHz	0.1 to 50
Impedance, Ohms	50
Maximum VSWR	1.75:1
Maximum Insertion Loss, dB	1.5
Maximum Operating Voltage, Vrms	75

Mechanical Specifications

Temperature

Operating Range, deg C	+5 to +75
------------------------	-----------

Size

Length, in [mm]	1.125 [28.58]
Width/Dia., in [mm]	0.5 [12.7]

Connector 1

Type	2.4mm Male
Inner Conductor Material and Plating	Beryllium Copper, Gold

Connector 2

Type	2.4mm Female
Inner Conductor Material and Plating	Beryllium Copper, Gold

Compliance Certifications (visit www.Pasternack.com for current document)

RoHS Compliant	Yes
----------------	-----

Click the following link (or enter part number in "SEARCH" on website) to obtain additional part information including price, inventory and certifications: [50 Ohm 2.4mm DC Block Operating From 100 MHz to 50 GHz PE8239](#)

The information contained in this document is accurate to the best of our knowledge and representative of the part described herein. It may be necessary to make modifications to the part and/or the documentation of the part, in order to implement improvements. Pasternack reserves the right to make such changes as required. Unless otherwise stated, all specifications are nominal.





50 Ohm 2.4mm DC Block Operating From 100 MHz to 50 GHz

TECHNICAL DATA SHEET

PE8239

Plotted and Other Data

Notes:

Values at 25 °C, sea level

50 Ohm 2.4mm DC Block Operating From 100 MHz to 50 GHz from Pasternack Enterprises has same day shipment for domestic and International orders. Our RF, microwave and fiber optic products maintain a 99% availability and are part of the broadest selection in the industry.

Click the following link (or enter part number in "SEARCH" on website) to obtain additional part information including price, inventory and certifications: [50 Ohm 2.4mm DC Block Operating From 100 MHz to 50 GHz PE8239](http://www.pasternack.com/50-ohm-dc-block-24mm-male-to-24mm-female-mhz-50-ghz-pe8239-p.aspx)

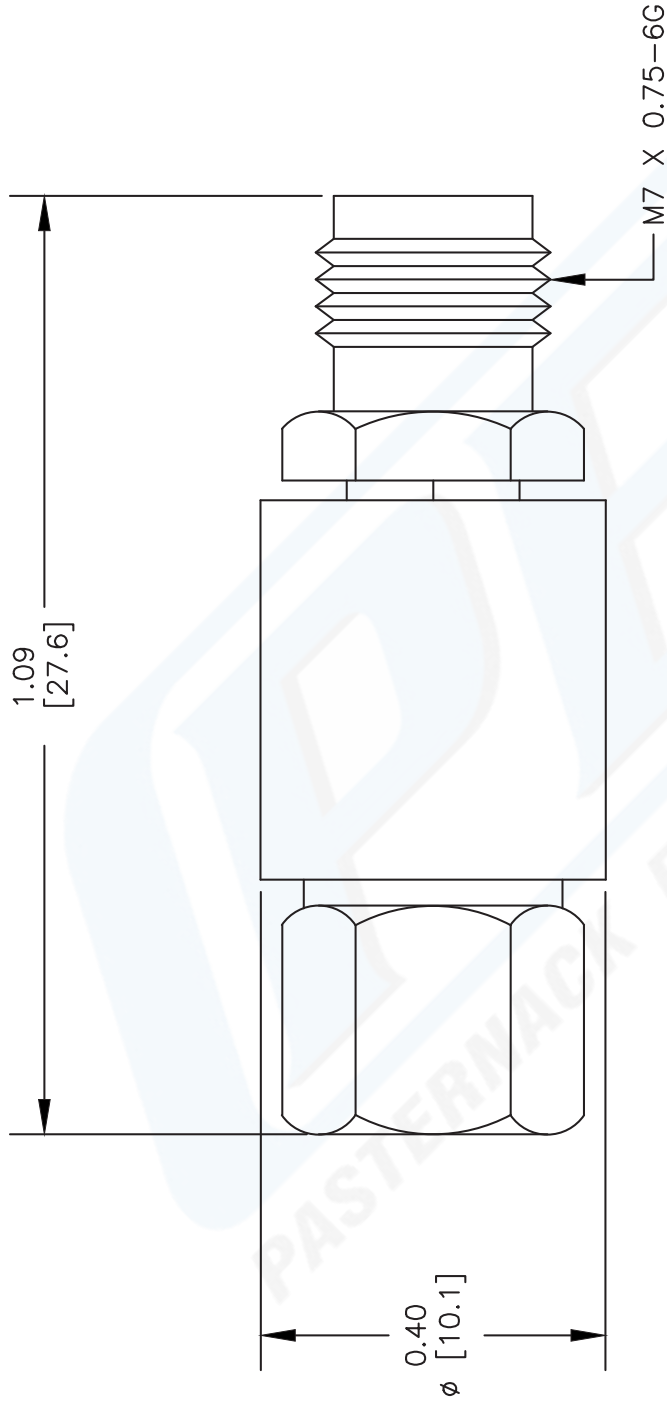
URL: <http://www.pasternack.com/50-ohm-dc-block-24mm-male-to-24mm-female-mhz-50-ghz-pe8239-p.aspx>

The information contained in this document is accurate to the best of our knowledge and representative of the part described herein. It may be necessary to make modifications to the part and/or the documentation of the part, in order to implement improvements. Pasternack reserves the right to make such changes as required. Unless otherwise stated, all specifications are nominal.



PE8239 CAD Drawing

50 Ohm 2.4mm DC Block Operating From 100 MHz to 50 GHz



NOTES:
1. UNLESS OTHERWISE SPECIFIED ALL DIMENSIONS ARE NOMINAL.
2. ALL SPECIFICATIONS ARE SUBJECT TO CHANGE WITHOUT NOTICE AT ANY TIME.
3. DIMENSIONS ARE IN INCHES [mm].

DWG TITLE
PE8239

FSCM NO. **53919**

PE PASTERNAK®
Pasternack Enterprises, Inc.
P.O. Box 16759 | Irvine | CA | 92623
Phone: (949) 261-1920 | Fax: (949) 261-7451
Website: www.pasternack.com | E-Mail: sales@pasternack.com

CAD FILE 080702 SCALE N/A SIZE A 127