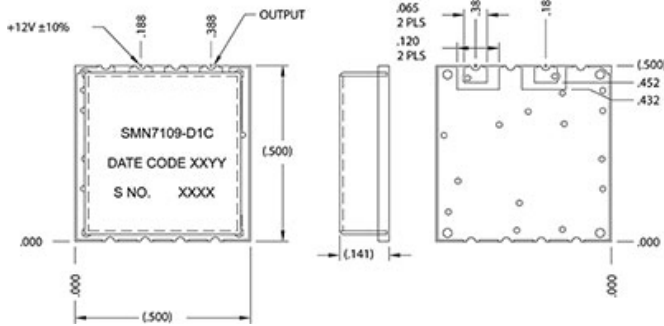


# SMN7109-D1C

## 5 MHz to 500 MHz

Surface Mount Noise Sources



### Specifications

RF Frequency	5 MHz to 500 MHz
Noise Output	70 dB Min ENR
Noise Spectral Density ( $N_0$ )	-104 dBm/Hz Min
Noise Power (N)	-17 dBm
Flatness	4 dB P-P Max
Peak Factor	5:01
Bias Voltage	12 V
Supply Current	50 mA Max
Impedance	50 ohms

### Package and Connectivity

Construction	SMT 0.50 inch sq
--------------	------------------

### Environmental

Operating Temperature	-55 to 85 °C
Storage Temperature	-55 to 125 °C

### Notes



MERCURY COMMERCIAL ELECTRONICS

Microwave RF Components | Hudson, NH | (603) 546-4100 | [rf.mrcy.com](http://rf.mrcy.com)  
 Specifications subject to change without notice

