



WR-90 Standard Gain Horn Antenna Operates From 8.2 GHz to 12.4 GHz With a Nominal 20 dB Gain WR-90 Input

TECHNICAL DATA SHEET

PE9856-20

WR-90 Standard Gain Horn Antenna Operates From 8.2 GHz to 12.4 GHz With a Nominal 20 dB Gain WR-90 Input

Configuration

Design	WR-90 Standard Gain Horn
Frequency Range, GHz	8.2 to 12.4
Polarization	Linear
Interface 1	WR-90

Electrical Specifications

Nominal Gain, dB	20
------------------	----

Mechanical Specifications

Size

Length, in [mm]	10.06 [255.52]
Width, in [mm]	5 [127]
Height, in [mm]	3.7 [93.98]
Weight, lbs [g]	0.75 [340.19]

Compliance Certifications (visit www.Pasternack.com for current document)

Plotted and Other Data

2 Dimensional OML Drawing	PE9856-20
Notes:	Values at 25 °C, sea level

WR-90 Standard Gain Horn Antenna Operates From 8.2 GHz to 12.4 GHz With a Nominal 20 dB Gain WR-90 Input from Pasternack Enterprises has same day shipment for domestic and International orders. Our RF, microwave and fiber optic products maintain a 99% availability and are part of the broadest selection in the industry.

Click the following link (or enter part number in "SEARCH" on website) to obtain additional part information including price, inventory and certifications: [WR-90 Standard Gain Horn Antenna Operates From 8.2 GHz to 12.4 GHz With a Nominal 20 dB Gain WR-90 Input PE9856-20](#)

URL: <http://www.pasternack.com/standard-gain-horn-waveguide-size-wr90-pe9856-20-p.aspx>

The information contained in this document is accurate to the best of our knowledge and representative of the part described herein. It may be necessary to make modifications to the part and/or the documentation of the part, in order to implement improvements. Pasternack reserves the right to make such changes as required. Unless otherwise stated, all specifications are nominal.

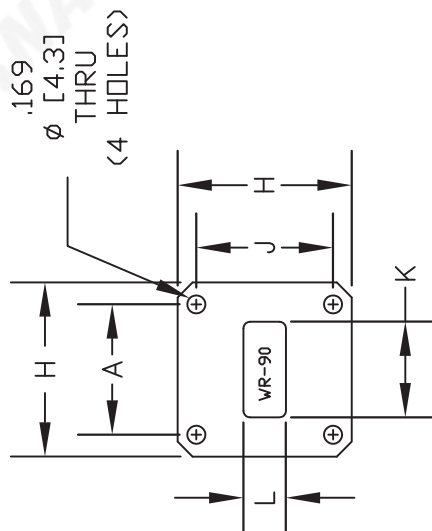
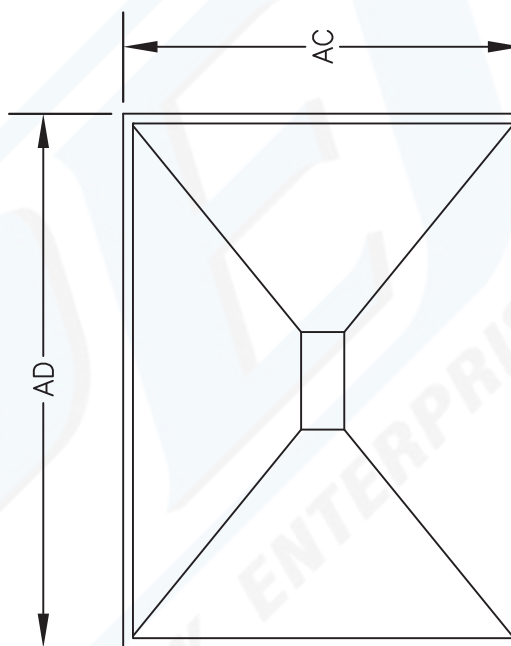
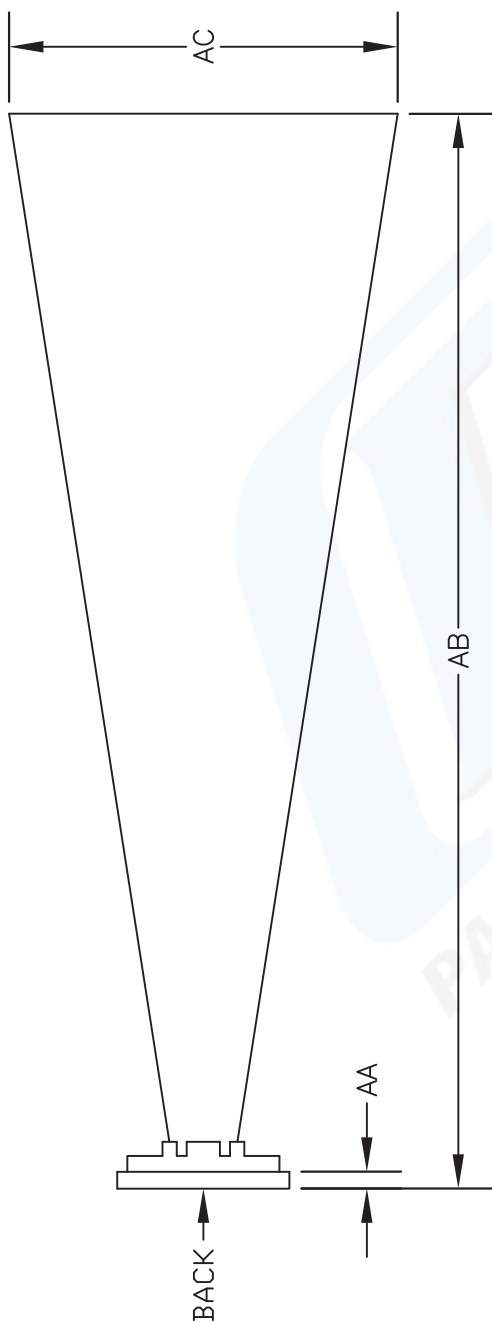


PE9856-20 CAD Drawing

WR-90 Standard Gain Horn Antenna Operates From 8.2 GHz to 12.4 GHz With a Nominal 20 dB Gain WR-90 Input

WR90	Dimension	Inches	mm
A		1.220	30.99
H		1.630	41.40
J		1.280	32.51
K	(±0.003)	0.900	22.86
L	(±0.003)	0.400	10.16

AA	0.160	4.06
AB	10.060	255.52
AC	3.700	93.98
AD	5.000	127.00



FRONT VIEW

BACK VIEW

DWG TITLE

PE9856-20

NOTES:
 1. UNLESS OTHERWISE SPECIFIED ALL DIMENSIONS ARE NOMINAL.
 2. ALL SPECIFICATIONS ARE SUBJECT TO CHANGE WITHOUT NOTICE AT ANY TIME.
 3. DIMENSIONS ARE IN INCHES [mm].

PASTERNAK ENTERPRISES, INC.

PO BOX 16759, IRVINE, CA 92623
 PHONE (949) 261-1920 FAX (949) 261-7451

WEB ADDRESS: www.pasternack.com
 E-MAIL ADDRESS: sales@pasternack.com

COAXIAL & FIBER OPTICS



PASTERNAK ENTERPRISES®
 ESTABLISHED 1972

FSCM NO. 53919

CAD FILE 090903

SCALE N/A

SIZE A

127