

KR Electronics

General Description

KR Electronics part number 2917 is a 800 MHz bandpass filter. The 3 dB bandwidth is 240 MHz minimum. Other center frequencies and bandwidths available. Please consult the factory.

Features

- 800 MHz Center Frequency
- 240 MHz min 3 dB Bandwidth
- 50 Ω Source and Load
- Surface Mount
- Also available with SMA connectors

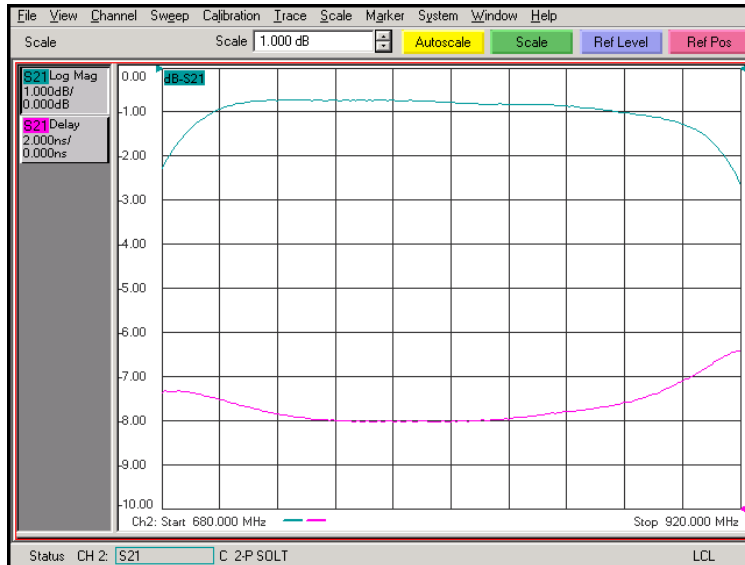
Typical Performance

Overall Response (10 dB/div)



Typical Performance

Passband Amplitude & Group Delay (1 dB/div & 2 nsec/div)



Overall Stopband to 5 GHz (10 dB/div)



KR Electronics, Inc.
91 Avenel Street
Avenel, NJ 07001

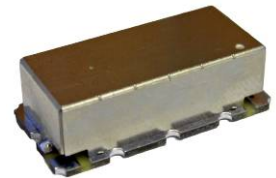
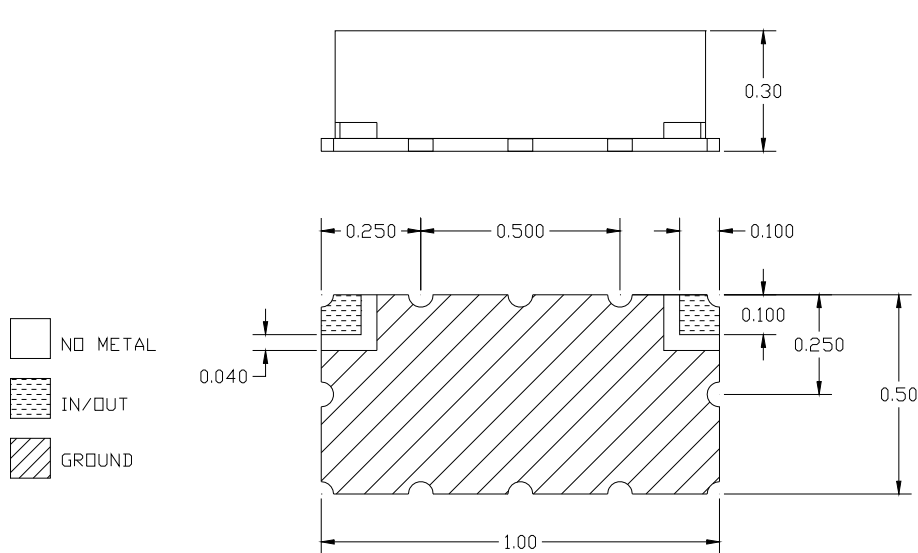
Web www.krfilters.com
Email sales@krfilters.com
Phone (732) 636-1900
Fax (732) 636-1982

KR Electronics 2917

Specifications

Parameter	Specification
Filter type	Bandpass
Number of Sections	4
Center Frequency	800 MHz
Insertion Loss	< 1.7 dB (0.8 dB typical)
3 dB Bandwidth	240 MHz min
Attenuation 1000 MHz	20 dB min
Source and Load	50 Ω

Physical Dimensions



Notes:

1. Surface mount package
2. Dimensions in inches
3. Max reflow temperature 209° C for 10 sec
4. If boards are cleaned after installation units must be completely dried

KR Electronics, Inc.
91 Avenel Street
Avenel, NJ 07001

Web www.krfilters.com
Email sales@krfilters.com
Phone (732) 636-1900
Fax (732) 636-1982