

# EDGE GUIDE ISOLATOR 2-10GHZ SMA F'S

SFI0210

## SPECIFICATIONS

### ELECTRICAL

FREQUENCY: 2-10 GHZ  
 IMPEDANCE: 50 OHMS  
 VSWR: 1.35:1 MAX  
 INSERTION LOSS: 2.0 DB MAX  
 FORWARD POWER: 10W CW  
 REVERSE POWER: 10W CW  
 ISOLATION: 20 DB MIN @ 2-8 GHZ  
 13 DB MIN @ 8-10 GHZ

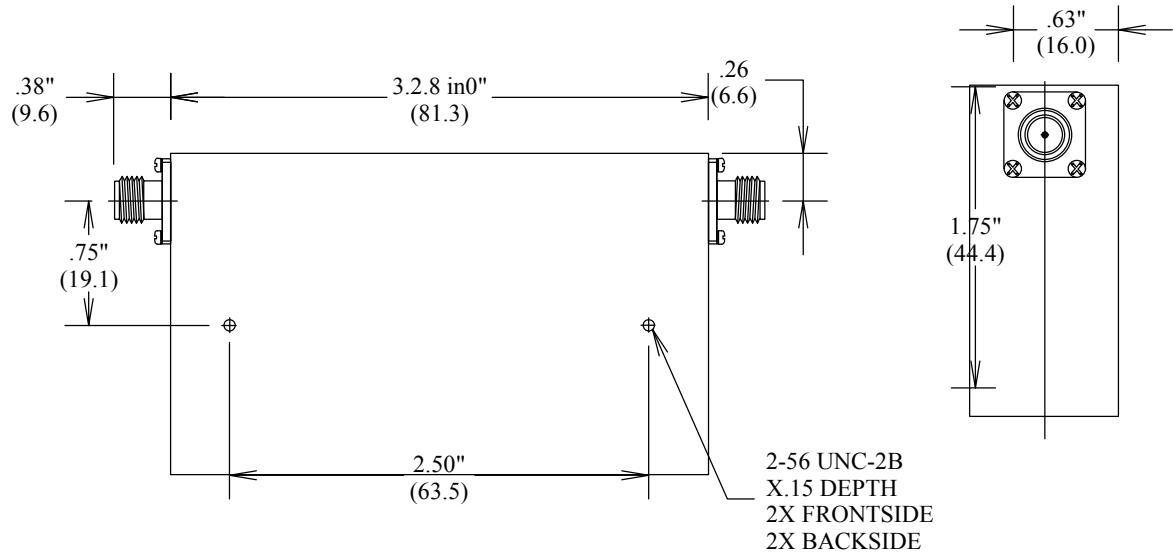
### MECHANICAL

HOUSING: ALUMINUM  
 CONNECTORS: SMA-F, STAINLESS STEEL

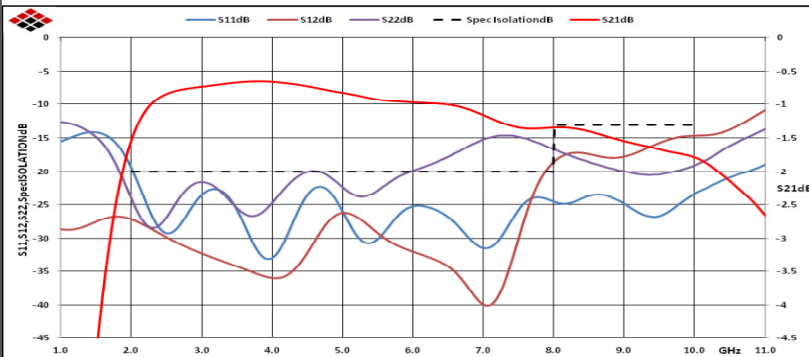
OPERATING TEMPERATURE: -10°C TO +40°C

CLOCKWISE ROTATION

ROHS COMPLIANT



MEASUREMENTS BELOW ARE TYPICAL



ALL DIMENSIONS inches(MM) Typical

**FAIRVIEW MICROWAVE INC.**

ALLEN, TX 75013 WWW.FAIRVIEWMICROWAVE.COM

TITLE

**EDGE GUIDE ISOLATOR 2-10GHZ SMA F'S**

SIZE CAGE CODE DWG NO

**A**

**3FKR5**

**SFI0210**

REV

**A**

SCALE

SHEET