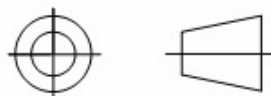


SERVICE DRAWING NUMBER
SECURITY CLASSIFICATION

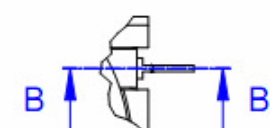
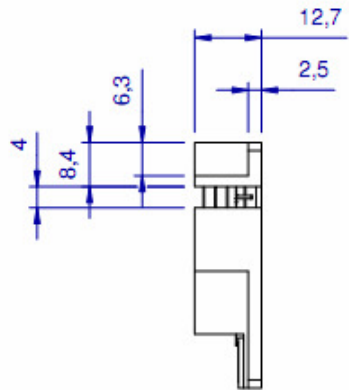
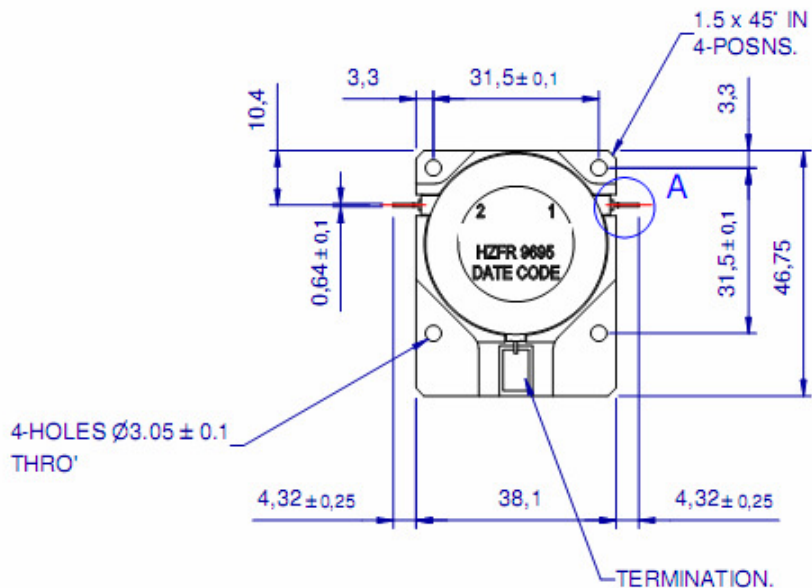
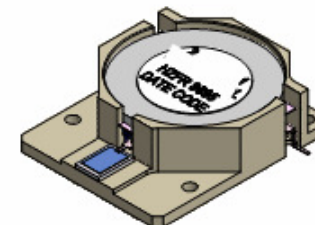
3rd ANGLE PROJECTION



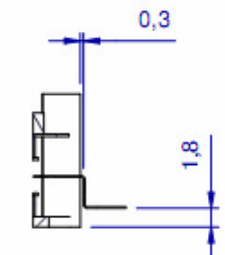
THIS DRAWING IS MESL MICROWAVE PROPERTY
IT MAY NOT BE COPIED OR EXHIBITED WITHOUT WRITTEN PERMISSION

MESL MICROWAVE

DRAWING TO BE READ IN CONJUNCTION WITH BS 8888

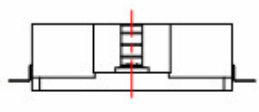


A (2:1)
IN 2-POSNS.



B-B

0,13 TAB
IN 2-POSNS.



NOTES :

PARTS ARE RoHS COMPLIANT BY DESIGN.

Q.A. DATE
PROD.REL. DATE
ENG.APP. JG. DATE
MECH. ENG. DATE
DRAWN AB. DATE

LIGHTLY REMOVE ALL BURRS AND SHARP EDGES U.O.S.

ORIGINAL SCALE 1/1 DO NOT SCALE PRINT DIMENSION IN mm	MATERIAL SPECIFICATION	FINISH SPECIFICATION BODY : BRIGHT NICKEL PLATED.
CERTIFIED AT ISSUE		

REF	DESCRIPTION	No OFF	CHAR.	POS.TOL.	ISSUE	DATE	MOD NUMBER
GREEN (Fully Released)							A 3
CONTRACTOR MESL MICROWAVE				SECURITY CLASSIFICATION			
RESPONSIBLE AUTHORITY J.Gillies.				CONTRACTORS DRAWING NUMBER 9695-000-OL			
TITLE OUTLINE FOR 450 MHz NbLAM PACKAGE DROP-IN ISOLATOR TYPE No. HZF 9695				SERVICE DRAWING NUMBER		SHEET No 1 OFF 1	

GENERAL TOLERANCE UNLESS OTHERWISE STATED ISO 2768-fH Symmetry ± 0,05
FINISH TO BE 1.6 ✓ UNLESS OTHERWISE STATED

2		9695-ECN-10526
1		DRN 5152