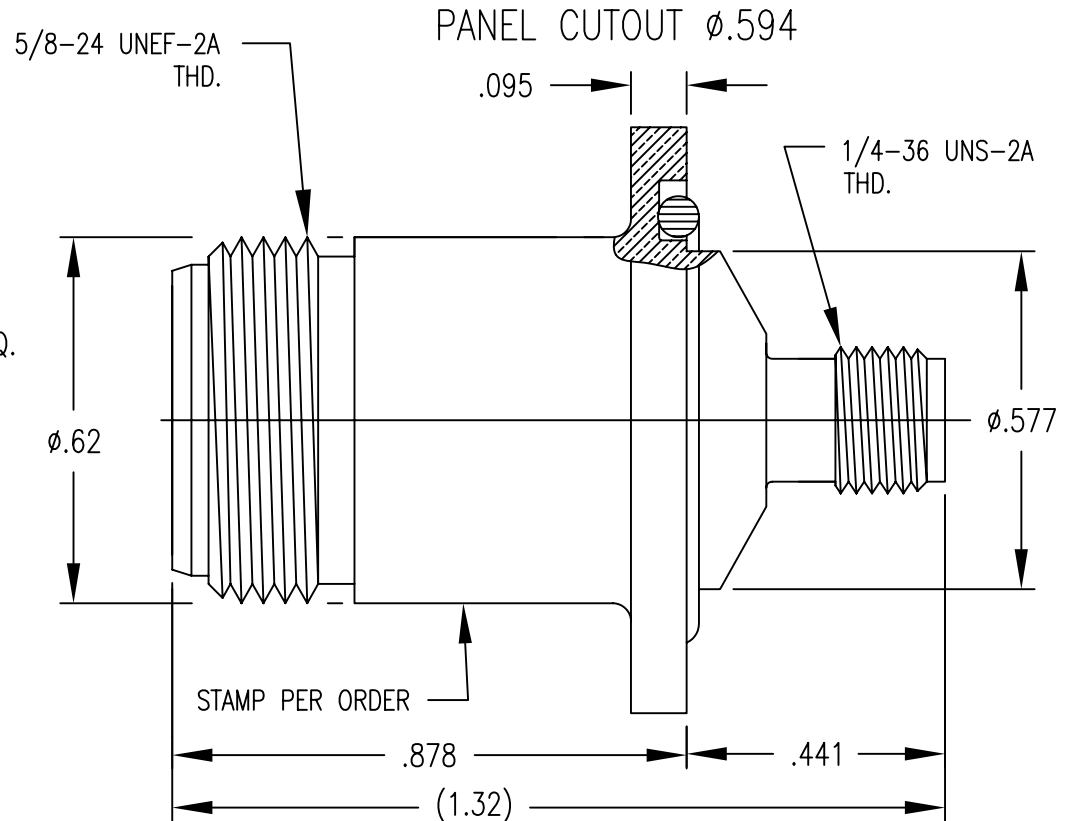
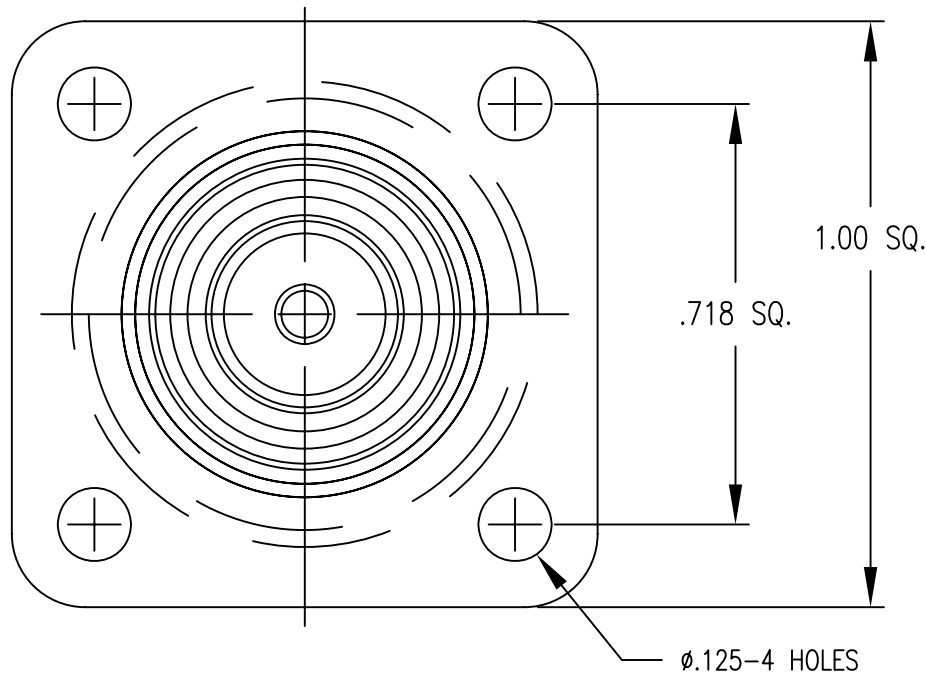


- 1.0 PERFORMANCE
- 1.1 FREQUENCY RANGE: DC-12.4 GHz
- 1.2 VOLTAGE RATING: 1000V RMS (sea level)
- 1.3 NOMINAL IMPEDANCE: 50 OHMS
- 1.4 DWV: 1500 V RMS @ 60 Hz (sea level)
- 1.5 TEMPERATURE RANGE: -65° C TO +165° C
- 2.0 MATERIALS
- 2.1 DIELECTRICS: TEFLON, ASTM-D-1710

- 2.2 CONTACT: BERYLLIUM COPPER ASTM-B-196
- 2.3 OTHER METAL PARTS: BRASS, ASTM-B-16
- 2.4 GASKET: SILICON RUBBER, ZZ-R-765, GR. 70, RED
- 3.0 FINISHES:
- 3.1 CENTER CONTACT: SEE TABLE
- 3.2 ALL OTHER METAL PARTS: SEE TABLE
- 3.3 MECHANICAL
- 3.4 INTERFACE IN ACCORDANCE WITH MIL-STD-348

DWG NO. OL-0910-36-1		REV. E
PART NUMBER	BODY	CONTACT
0910-36	SILVER	SILVER
0910-36-NG	NICKEL	GOLD
0910-36-SG	SILVER	GOLD

PLATE PER STI 7.3.1-8



E	REDIMENSIONED	3/22/11	RJG	FSH
D	REDESIGN 4-6-09	3/18/11	RJG	FSH
C	RELEASE 0910-36-NG	8/1/05	FSH	FSH
B ₂	ADDED: PANEL CUTOUT DIMS.	11/13/01	JMB	JO
A	ORIGINAL	11/5/01		
Rev.	Revisions	Date	Dwn.	Appd.
RECOM. STOCK SIZE		FT/M PCS	QTY REQD	

PROPRIETARY
THIS DRAWING CONTAINS CONFIDENTIAL INFORMATION PROPRIETARY TO SAN*TRON INC. IT MUST NOT BE REPRODUCED OR DISCLOSED TO OTHERS OR USED IN ANY OTHER WAY, IN WHOLE OR PART EXCEPT AS AUTHORIZED IN WRITING BY SAN*TRON INCORPORATED.

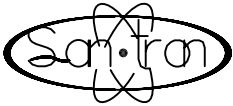
REMOVE ALL BURRS AND SHARP EDGES .005 MAX.
UNLESS OTHERWISE STATED ALL DIMENSIONS ARE IN INCHES AND APPLY AFTER PLATING

UNSPECIFIED TOL.	DWN	JMB	11/5/01
DEC. ± .005	CHKD	SJS	11/5/01
FRAC. ± 1/64	APPR	JO	11/5/01
ANG. ± 1/2°			

CONCENTRICITY .004 TIR
ALL MACHINED SURFACES

SAN • TRON, INC.

4 NEWBURYPORT TPK, IPSWICH, MA 01938



TITLE ADAPTER, STRAIGHT, PANEL MTD.
O-RING, N(F) TO SMA (F)

MATERIAL: SEE NOTE 2.0 FINISH: SEE NOTE 3.0

FSCM NO. 50896	DWG NO. OL-0910-36-1	REV. E
SCALE 3:1		