

1000 MHz < Fco < 1999.99 MHz

High Pass

Slope 0.9 x Fco

Passband Limit 15000 MHz

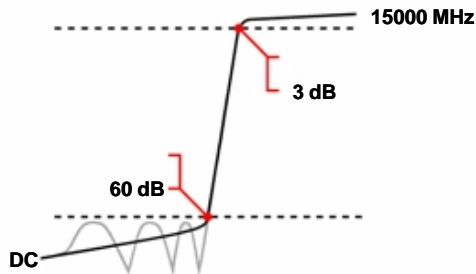
WHKX12-__

Attenuation 60 dB

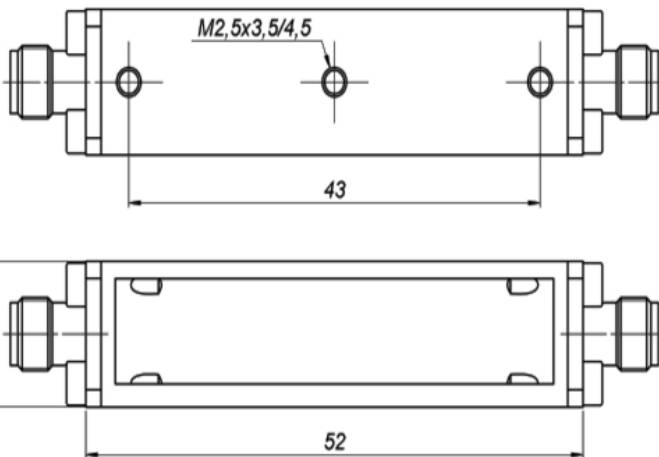
Specifications

Passband:	__ to 15000 MHz
Passband Insertion Loss:	1.8 dB max. (3 dB max. at Fco)
Passband Return Loss:	12 dB min. (VSWR 1.67:1 max.)
Stopband:	DC to __ MHz
Stopband Attenuation:	60 dB min.
Operating Temperature:	5 °C to 45 °C
Power Handling:	max. 5 W CW into a 2:1 VSWR (Please see our <u>warranty</u> in this regard)
Dimensions (L x W x H):	max. 52 x 12.7 x 12.7 mm (plus connectors)
Approx. Weight:	0.045 kg
Mounting Provision:	3 x M2.5 threaded holes in base
Connector 1:	- Please choose -
Connector 2:	- Please choose -

Typical Performance



12 Section Chebyshev Design



Connector Options

- SMA Female
- SMA Male

Euro Prices	1 - 4 pcs:	€ 1180
(USD Prices will be quoted for US-based customers only)	5 - 9 pcs:	€ 1062
	10 - 24 pcs:	€ 956

Delivery Terms

FCA Andechs (free carrier) according to **Incoterms 2010**
 In Deutschland liefern wir frachtfrei gemäß CPT **Incoterms 2010** (unversichert).
 Regarding payment terms and warranty see Terms and Conditions.
Delivery time: normally 3 to 4 weeks - depending on quantity ordered and on our work load.

Customer is responsible for observing all applicable export laws in regard to filter application and location of end user



Wainwright Instruments GmbH
 www.wainwright-filters.com

Tel: +49 8152 918230
 Fax: +49 8152 918255
 info@wainwright-filters.com