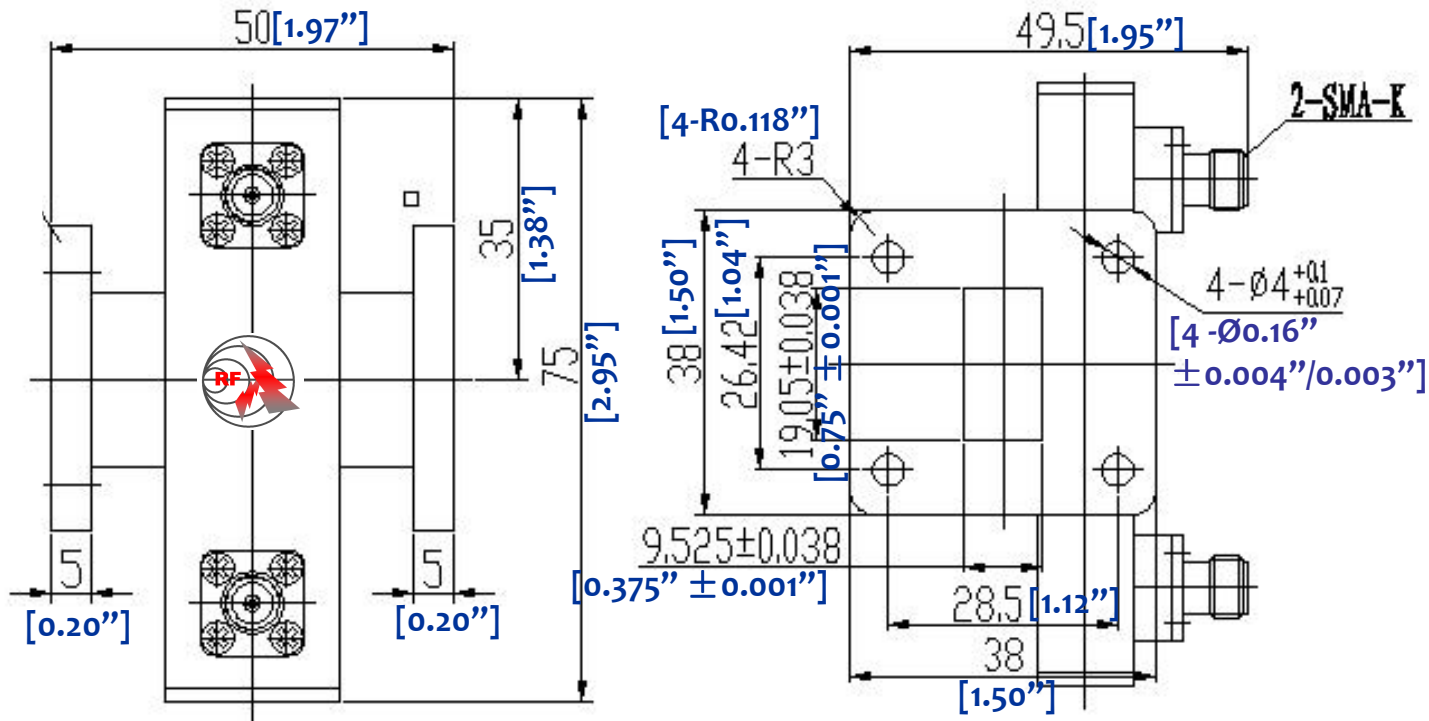


WAVEGUIDE WR75 CROSSGUIDE DIRECTIONAL COUPLER – RWGCP75SD



3.0 Electrical Specifications		
3.1	Frequency Range	14~14.5GHz
3.2	Directivity min	15dB
3.3	Coupling	20±1.5dB
3.4	VSWR	1.18 : 1
3.5	Insertion Loss	0.2dB
3.6	Power	200W CW

1.0 Mechanical Specifications		
1.1	Waveguide type	Rectangular Waveguide WR75
1.2	Flange type	UBR120
1.3	Flange Holes	Through
1.4	Basis-material	Alloyed Aluminum
1.5	Internal Body Finish	Silver Plated chromate or conversion
1.6	External Body Finish	Body painted with gray/black epoxy enamel

2.0 Environment specifications		
2.1	Operation Temp.	-54°C~+71°C
2.2	Storage Temp.	-60°C~+125°C
2.3	Altitude	45000 ft
2.4	Vibration	10g rms (15 degree 2KHz)
2.5	Humidity	100% RH at 35c, 95%RH at 40 deg c
2.6	Shock	20G for 11msec

PAGE	OF	DATE
		Apr 18 th 2007
<small>PROPRIETARY INFORMATION THE INFORMATION CONTAINED IN THIS DOCUMENT IS THE PROPERTY OF RF-LAMBDA EXCEPT AS SPECIFICALLY AUTHORIZED IN WRITINGS BY RF-LAMBDA. THE HOLDER OF THIS DOCUMENT SHALL KEEP ALL INFORMATION CONTAINED HEREIN CONFIDENTIAL AND SHALL PROTECT SAME IN THE WHOLE OR IN PART FROM DISCLOSURE AND DISSEMINATION OF ALL THIRD PARTIES AND SHALL USE SAME FOR OPERATING AND MAINTENANCE PURPOSES ONLY</small>		DESIGN
		RFPC
		RF-LAMBDA
		RFPC
		CAD MODEL REVISION
		0-4
		ASSEMBLY REVISION
		VS2DS
		ASSEMBLY NAME
		RFLVR011
		DRAWING NUMBER
		D02-1
www.rflambda.com		
RF-LAMBDA		SIZE LT
		SHEETS 1 OF 1

