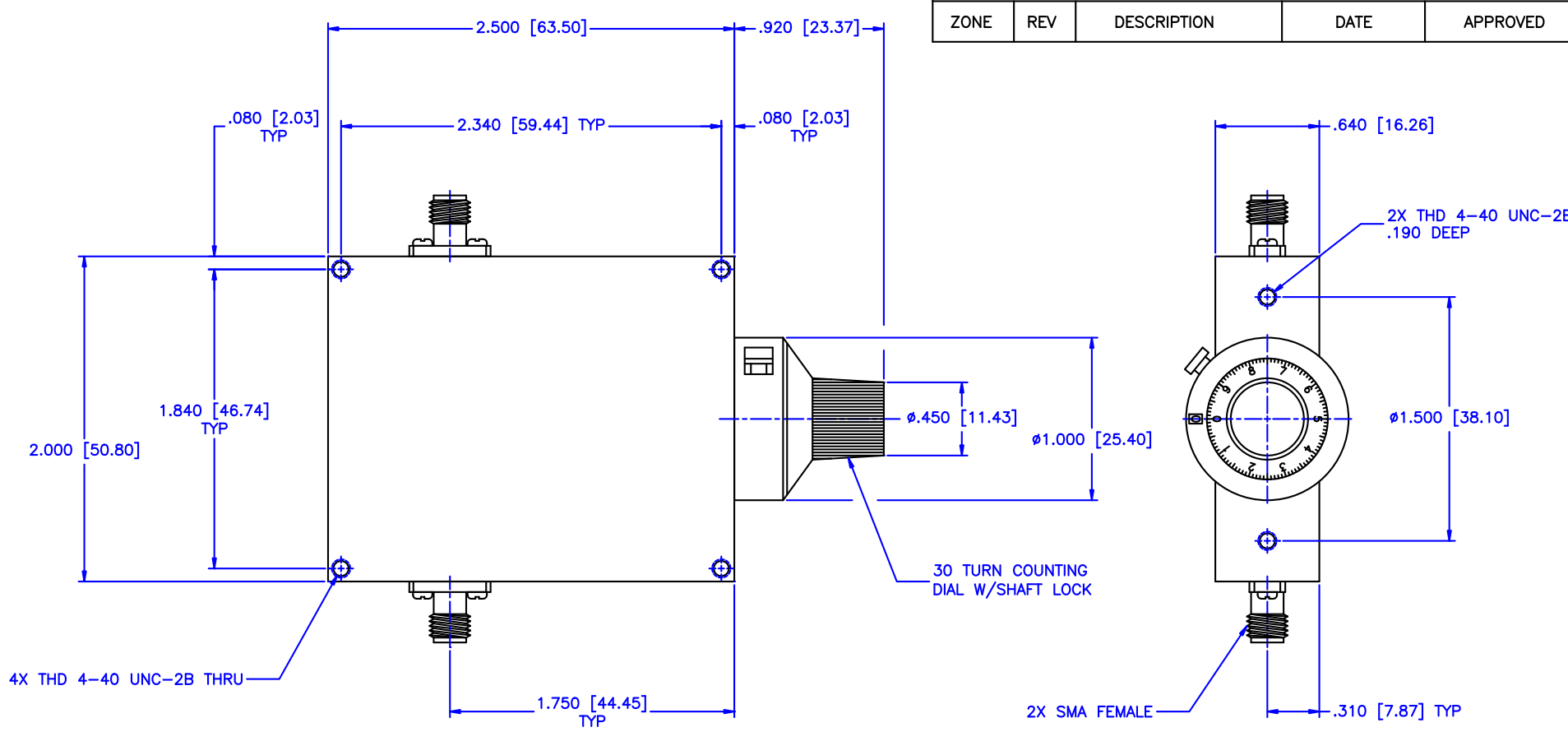


REVISIONS				
ZONE	REV	DESCRIPTION	DATE	APPROVED



Specifications:

Frequency Range: 1-4 GHz
 Attenuation: 20dB
 Insertion Loss: 0.5 Max.
 VSWR: 1.50:1
 RF Power: 7W Average, 3kW Peak

Environmental:

Temperature range: -55°C to +110°C
 Shock: 15 G's, 11mS, 1/2 sine
 Vibration: 3 G's overall
 Altitude: 40,000 ft. Survival 25,000ft Operating

MATERIAL:			MICROWAVE COMMUNICATIONS LABORATORIES INC. 7255 30TH AVE. N. SAINT PETERSBURG, FL 33710 TEL: (727) 344-6254 FAX: (727) 381-6116 http://WWW.MCLI.COM		SCALE:	N/A
UNLESS OTHERWISE SPECIFIED: TOLERANCES IN (INCHES) OR [mm] (MILLIMETERS) FRACTIONS: ± 1/64 DECIMALS: ±.01 ±.005 ANGLE: ±1/2°			DRAWING TITLE: CONTINUOUSLY VARIABLE ATTENUATOR WITH DIAL		SHEET:	N/A
DRAWN: Paiboon Luekhamhan		DATE: 02-08-2011		PART NO. CVA16-20/D		
APPROVED: T. Nguyen		DATE: 02-08-2011		CAGE CODE: OD2L5	SIZE: A	REV: N/A
THIRD ANGLE PROJECTION				DWG NO. 85384		DO NOT SCALE THE DRAWING