

SMA PCB EDGE LAUNCH .062"

SC8007

SPECIFICATIONS

ELECTRICAL

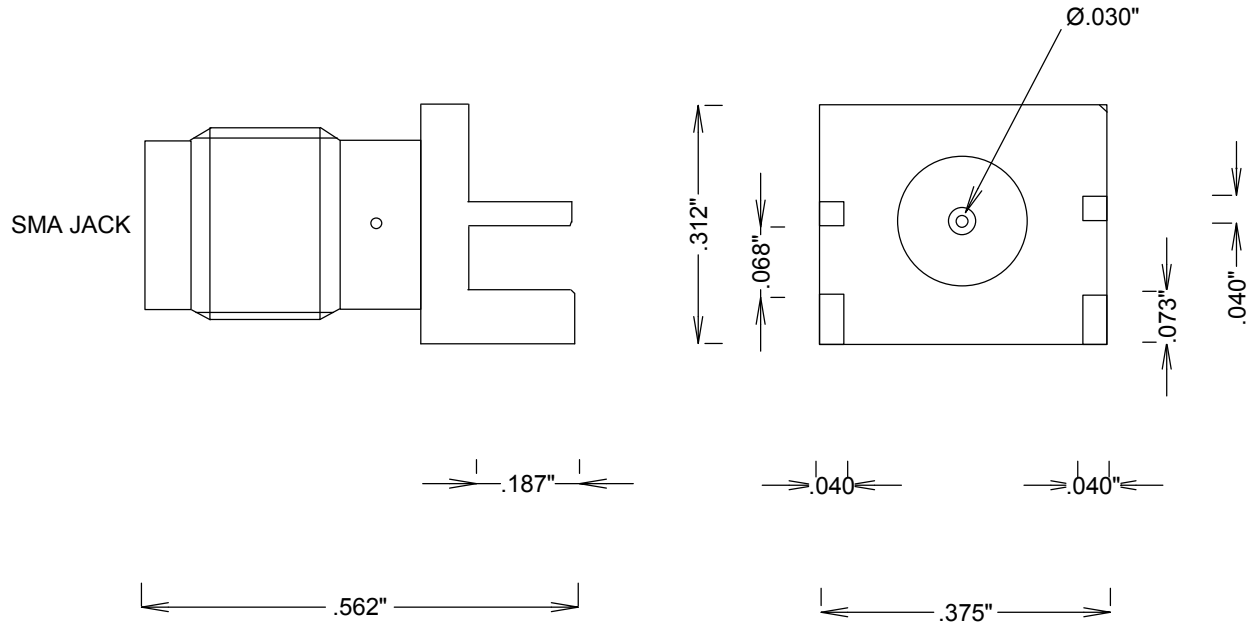
50 OHMS
 VSWR 1.25:1 MAX @ 18 GHZ
 FREQUENCY: 0-18 GHZ

MECHANICAL

MATERIAL BODY: AU PLATED BRASS
 MATERIAL CONTACTS: BeCu
 CONTACT PLATING: Au MIL-G-45204
 CAPTIVATED CONTACT
 INTERFACE MIL-STD-348
 INSULATION: TEFLON
 ROHS COMPLIANT

ENVIRONMENTAL

-65 DEG C TO +165 DEG C



FAIRVIEW MICROWAVE INC.

ALLEN, TX 75013 WWW.FAIRVIEWMICROWAVE.COM

TITLE

SMA PCB EDGE LAUNCH .062"

| | | | |
|----------|--------------|---------------|-----|
| SIZE | CAGE CODE | DWG NO | REV |
| A | 3FKR5 | SC8007 | -- |
| SCALE | | SHEET | |