

KR Electronics, Inc.

General Description

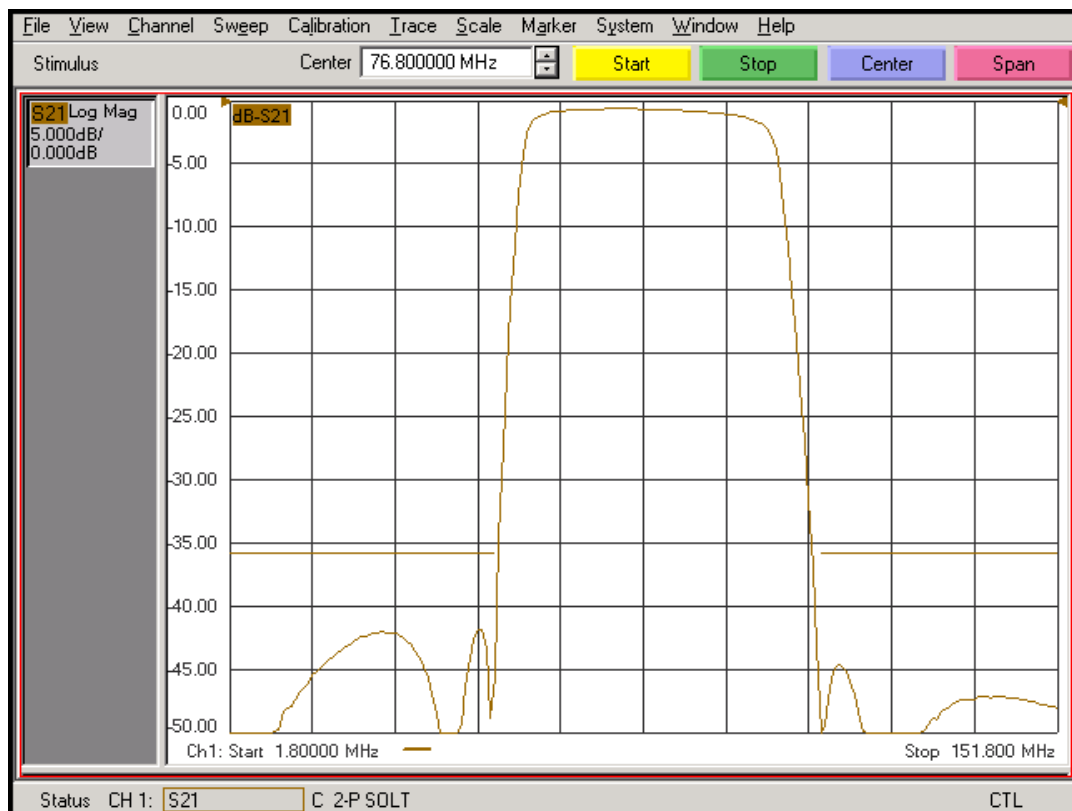
KR Electronics part number 2973 is a 76.8 MHz bandpass filter. The filter has a minimum 1.25 dB bandwidth of 39 MHz. Other center frequencies and bandwidths available. Please consult the factory.

Features

- 76.8 MHz Center Frequency
- 39 MHz minimum 1.25 dB Bandwidth
- Elliptic Type for High Selectivity
- 50 Ω Source and Load
- Surface Mount

Typical Performance

Overall Response (10 dB/div)

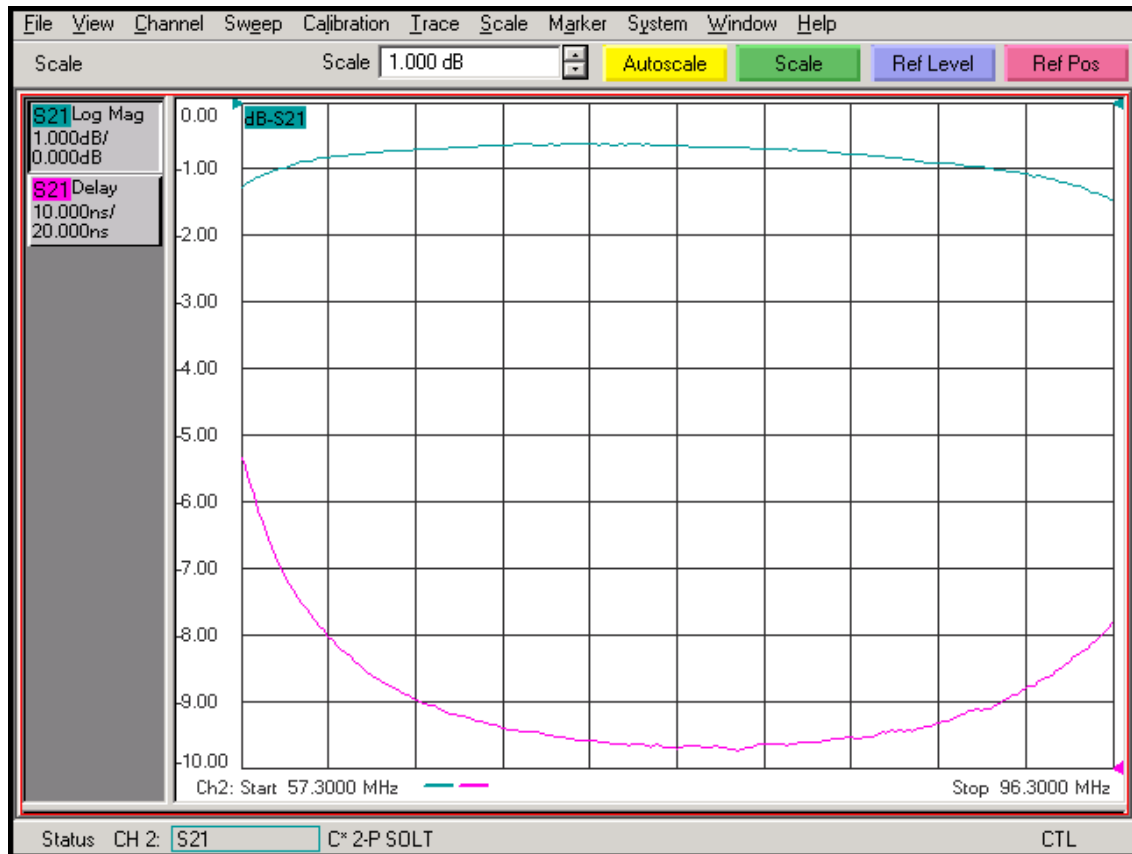


KR Electronics, Inc.
91 Avenel Street
Avenel, NJ 07001

Web www.krfilters.com
Email sales@krfilters.com
Phone (732) 636-1900
Fax (732) 636-1982

Typical Performance

Passband Amplitude & Group Delay (1 dB/div & 10 nsec/div)

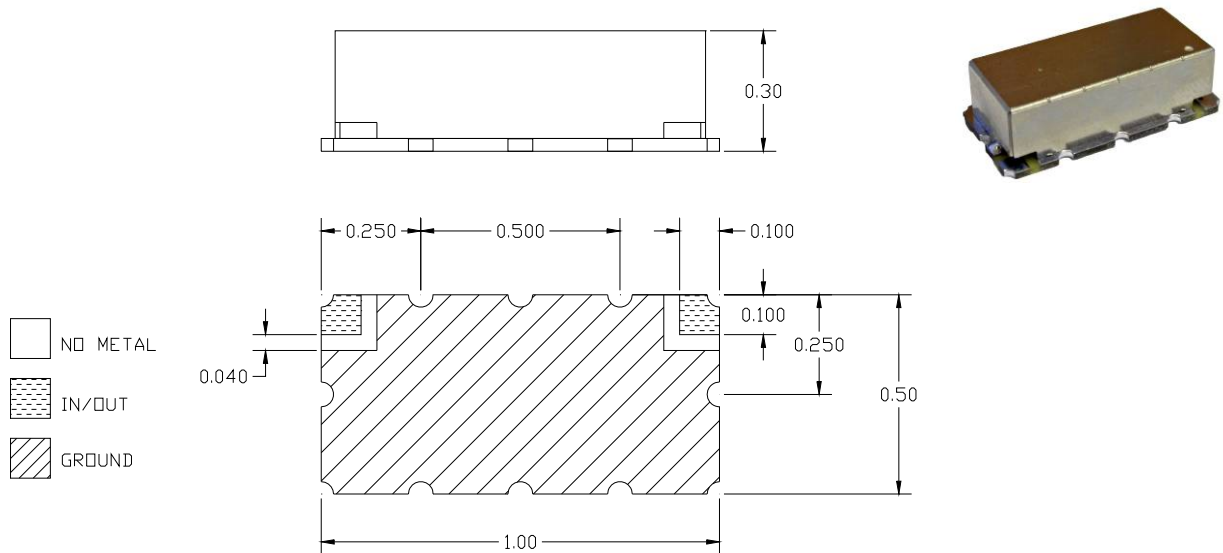


KR Electronics 2973

Specifications

Parameter	Specification
Filter type	Bandpass
Center Frequency	76.8 MHz
Insertion Loss	2 dB max < 1 dB typical
1.25 dB Bandwidth	39 MHz min
Rejection at 50 MHz	35 dB min
Rejection at 109 MHz	35 dB min
Source and Load	50 Ω

Physical Dimensions



Notes:

1. Surface mount package
2. Dimensions in inches
3. Max reflow temperature 209° C for 10 sec
4. If boards are cleaned after installation units must be completely dried

KR Electronics, Inc.
91 Avenel Street
Avenel, NJ 07001

Web www.krfilters.com
Email sales@krfilters.com
Phone (732) 636-1900
Fax (732) 636-1982