

Surface Mount

Dual Matched MMIC Amplifier

DC-4 GHz

Product Features

- Two matched 50-ohm amplifiers in one package
- InGaP HBT IF and RF amplifier
- Frequency range DC to 4 GHz
- High gain, 20.5 dB typ. at 0.1 GHz
- Very good flatness response at 50-1000 MHz.
- Up to +17.9 dBm typ. output power at 0.1 GHz
- High IP3, +35 dBm at 0.1 GHz
- Low noise figure, 3.5 dB typ.
- Low thermal resistance
- Transient protected
- Useable as balanced and push pull amplifier
- Protected by US Patent 6,943,629



MERA-533+

CASE STYLE: DL805

+RoHS Compliant

The +Suffix identifies RoHS Compliance. See our web site for RoHS Compliance methodologies and qualifications

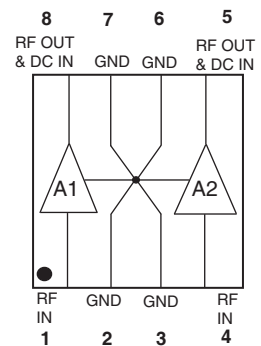
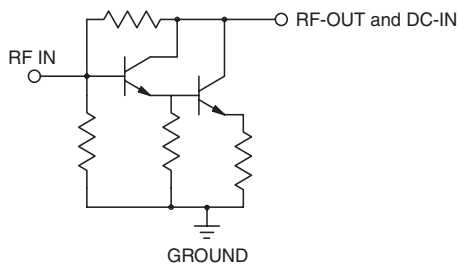
Typical Applications

- Cellular
- CATV
- UHF/VHF communications
- Receivers & transmitters
- FTTH

General Description

MERA-533+ is a dual matched wideband amplifier offering high dynamic range. It has repeatable performance from lot to lot. It is enclosed in a 3.25 x 3.25 mm MCLP plastic package. MERA-533+ uses Darlington configuration and is fabricated using InGaP HBT technology. Expected MTBF at 85°C case temperature is 420 years for the entire device (A1 and A2).

simplified schematic (each of A1, A2) and pin description



Function	Pin Number	Description
RF IN, A1	1	RF input pin. This pin requires the use of an external DC blocking capacitor chosen for the frequency of operation.
RF-OUT and DC-IN, A1	8	RF output and bias pin. DC voltage is present on this pin; therefore a DC blocking capacitor is necessary for proper operation. An RF choke is needed to feed DC bias without loss of RF signal due to the bias connection, as shown in "Recommended Application Circuit".
RF IN, A2	4	RF input pin. This pin requires the use of an external DC blocking capacitor chosen for the frequency of operation.
RF-OUT and DC-IN, A2	5	RF output and bias pin. DC voltage is present on this pin; therefore a DC blocking capacitor is necessary for proper operation. An RF choke is needed to feed DC bias without loss of RF signal due to the bias connection, as shown in "Recommended Application Circuit".
GND	2,3,6,7 & paddle	Connections to ground. Use via holes as shown in "Suggested Layout for PCB Design" to reduce ground path inductance for best performance.

Notes

- Performance and quality attributes and conditions not expressly stated in this specification document are intended to be excluded and do not form a part of this specification document.
- Electrical specifications and performance data contained in this specification document are based on Mini-Circuit's applicable established test performance criteria and measurement instructions.
- The parts covered by this specification document are subject to Mini-Circuits' standard limited warranty and terms and conditions (collectively, "Standard Terms"); Purchasers of this part are entitled to the rights and benefits contained therein. For a full statement of the Standard Terms and the exclusive rights and remedies thereunder, please visit Mini-Circuits' website at www.minicircuits.com/MCLStore/terms.jsp



Electrical Specifications at 25°C and 65mA, unless noted
(Specifications (other than Matching) are for each of the two matched amplifiers)

Parameter	Min.	Typ.	Max.	Units	
Frequency Range*	DC		4	GHz	
Gain	f=0.1 GHz	—	20.5	dB	
	f=1 GHz	—	20.0		
	f=2 GHz	16	18.8		
	f=3 GHz	—	17.5		
	f=4 GHz	—	16		
Input Return Loss	f=DC to 4 GHz	15.5		dB	
Output Return Loss	f=DC to 4 GHz	14		dB	
Output Power @ 1 dB compression	f=0.1 GHz	—	17.9	dBm	
	f=1 GHz	16.5	17.5		
	f=2 GHz	—	16.7		
Output IP3	f=0.1 GHz		35	dBm	
	f=0.5 GHz		34		
	f=1 GHz		33		
Noise Figure	f=DC to 4 GHz	3.5		dB	
Matching between A1, A2 ²					
Amplitude Unbalance	f=DC to 2.2 GHz	—	0.05	0.3	dB
	f=2.2 to 4 GHz	—	0.1	0.5	
Phase Unbalance	f=DC to 2.2 GHz		0.7		deg.
	f=2.2 to 4 GHz		2.0		
Recommended Device Operating Current		65		mA	
Device Operating Voltage	4.2	4.9	5.5	V	
Device Voltage Variation vs. Temperature at 65 mA		-3.2		mV/°C	
Device Voltage Variation vs. Current at 25°C		6.9		mV/mA	
Thermal Resistance, junction-to-case ¹ , A1 or A2		133		°C/W	

*Guaranteed specification DC-4 GHz. Low frequency cut off determined by external coupling capacitors.

Absolute Maximum Ratings

Parameter	Ratings
Operating Temperature	-40°C to 85°C
Storage Temperature	-55°C to 100°C
Operating Current	120mA
Power Dissipation	650mW
Input Power	13dBm

Note: Permanent damage may occur if any of these limits are exceeded. These ratings are not intended for continuous normal operation.

¹Case is defined as ground paddle. See application note AN-60-032 for adequate heat sinking of paddle.

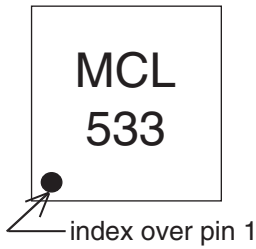
²For test method, see application note AN-60-032.

Notes

- A. Performance and quality attributes and conditions not expressly stated in this specification document are intended to be excluded and do not form a part of this specification document.
- B. Electrical specifications and performance data contained in this specification document are based on Mini-Circuit's applicable established test performance criteria and measurement instructions.
- C. The parts covered by this specification document are subject to Mini-Circuits standard limited warranty and terms and conditions (collectively, "Standard Terms"); Purchasers of this part are entitled to the rights and benefits contained therein. For a full statement of the Standard Terms and the exclusive rights and remedies thereunder, please visit Mini-Circuits' website at www.minicircuits.com/MCLStore/terms.jsp



Product Marking



Markings in addition to model number designation may appear for internal quality control purposes.

Additional Detailed Technical Information

Additional information is available on our web site. To access this information enter the model number on our web site home page.

Performance data, graphs, s-parameter data set (.zip file)

Case Style: DL805

Plastic package, exposed paddle, lead finish: tin-silver over nickel

Tape & Reel: F68

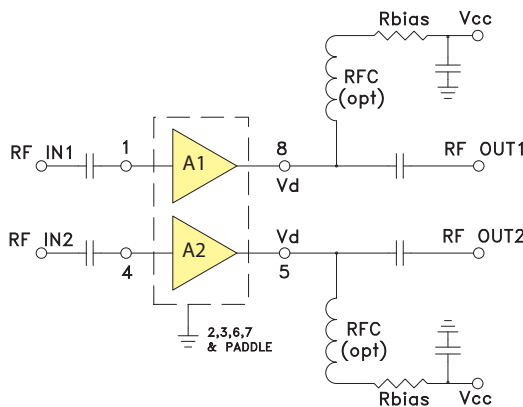
Standard quantities available on reel 7" reels with 20, 50, 100, 200, 500 or 1K devices.
13" reels with 2000, 4000 devices.

Suggested Layout for PCB Design: PL-165

Evaluation Board: TB-294

Environmental Ratings: ENV08T2

Recommended Application and Biasing Circuit



R BIAS	
Vcc	"1%" Res. Values (ohms) for Optimum Biasing
7	33.2
8	48.7
9	63.4
10	78.7
11	95.3
12	110
13	124
14	140
15	158
16	174
17	187
18	205
19	221
20	232

Notes

- A. Performance and quality attributes and conditions not expressly stated in this specification document are intended to be excluded and do not form a part of this specification document.
- B. Electrical specifications and performance data contained in this specification document are based on Mini-Circuit's applicable established test performance criteria and measurement instructions.
- C. The parts covered by this specification document are subject to Mini-Circuits standard limited warranty and terms and conditions (collectively, "Standard Terms"); Purchasers of this part are entitled to the rights and benefits contained therein. For a full statement of the Standard Terms and the exclusive rights and remedies thereunder, please visit Mini-Circuits' website at www.minicircuits.com/MCLStore/terms.jsp



ESD Rating

Human Body Model (HBM): Class 1B (500 v to < 1000 v) in accordance with ANSI/ESD STM 5.1 - 2001

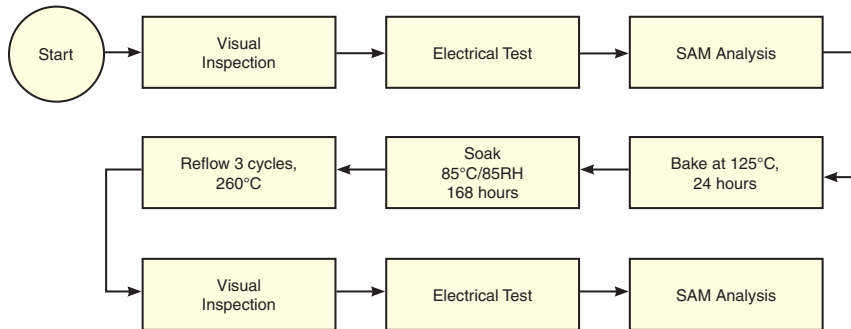
Machine Model (MM): Class M1 (< 100 v) in accordance with ESD STM 5.2-1999

MSL Rating

Moisture Sensitivity: MSL1 in accordance with IPC/JEDECJ-STD-020C

No.	Test Required	Condition	Standard	Quantity
1	Visual Inspection	Low Power Microscope Magnification 40x	MIP-IN-0003 (MCT spec)	114 units
2	Electrical Test	Room Temperature	SCD (MCL spec)	114 units
3	SAM Analysis	Less than 10% growth in term of delamination	J-Std-020C (Jedec Standard)	114 units
4	Moisture Sensitivity Level 1	Bake at 125°C for 24 hours Soak at 85°C/85%RH for 168 hours Reflow 3 cycles at 250°C peak	J-Std-020C (Jedec Standard)	114 units

MSL Test Flow Chart



Notes

- A. Performance and quality attributes and conditions not expressly stated in this specification document are intended to be excluded and do not form a part of this specification document.
- B. Electrical specifications and performance data contained in this specification document are based on Mini-Circuit's applicable established test performance criteria and measurement instructions.
- C. The parts covered by this specification document are subject to Mini-Circuits standard limited warranty and terms and conditions (collectively, "Standard Terms"); Purchasers of this part are entitled to the rights and benefits contained therein. For a full statement of the Standard Terms and the exclusive rights and remedies thereunder, please visit Mini-Circuits' website at www.minicircuits.com/MCLStore/terms.jsp

