

Microstrip Circulator

Part Number: KTMC-1502A2

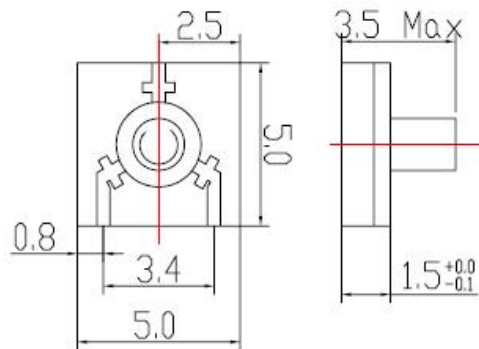
Main Features:

- Frequency Range: 14GHz - 18GHz
- Small Size, Low Profile, Compact Design
- High Isolation, Low Insertion Loss
- Wide Operating Temperature : -40°C~+70°C
- Commercial, Military and Space Applications

Electrical Specifications at Room Temperature:

Part Number	Freq. Range (GHz)	Bandwidth Max. (MHz)	Insertion Loss Max. (dB)	Isolation Min. (dB)	VSWR Max.	Forward Power (W)	Dimension (mm)
KTMC-1502A2	14 - 18	full	0.6	18	1.40	2	5*5*3.5

Mechanical Dimensions (mm):



HOW TO ORDER

