

**SMP Male Limited Detent PCB Connector End Launch  
 Solder Attachment Up To 6 GHz**

**Configuration**

Connector SMP Male, Limited Detent

**Electrical Specifications\***

Description	Min	Typ	Max	Units
Frequency Range	DC		6	GHz
Impedance		50		Ohms
VSWR			1.3:1	

\* Values at 25°C, sea level

**Mechanical Specifications**

**Temperature**

Operating Range -55 to +125 deg C

**Size**

Length 0.289 in [7.34 mm]  
 Width/Dia. 0.25 in [6.35 mm]  
 Height 0.171 in [4.34 mm]

**Connector**

Type SMP Male  
 Mating Cycles 500  
 Contact Material and Plating Beryllium Copper, Gold  
 Contact Plating Specification MIL-DTL-45204  
 Outer Conductor Material and Plating Brass, Gold  
 Body Material and Plating Brass, Gold  
 Body Plating Specification MIL-DTL-45204  
 Dielectric Type PTFE

**Compliance Certifications** (visit [www.FairviewMicrowave.com](http://www.FairviewMicrowave.com) for current document)

RoHS Compliant Yes



**Features:**

- Specification: MIL-STD-348A
- Interface: End Launch
- Attachment: Solder
- Body Style: Straight

Fairview Microwave  
 1130 Junction Dr. #100  
 Allen, TX 75013  
 Tel: 1-800-715-4396 / (972) 649-6678  
 Fax: (972) 649-6689  
[www.fairviewmicrowave.com](http://www.fairviewmicrowave.com)  
[sales@fairviewmicrowave.com](mailto:sales@fairviewmicrowave.com)

**Plotted and Other Data**

Notes:

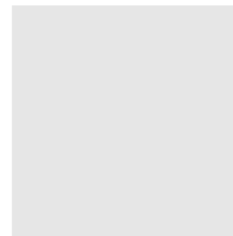
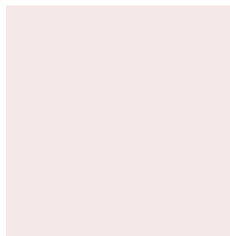
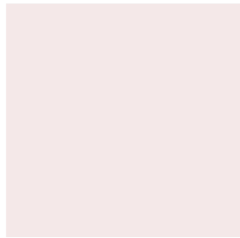
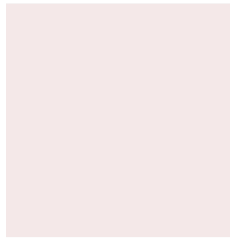
- Values at +25 °C, sea level
- GPO® is a Registered Trademark of Corning Gilbert Inc.

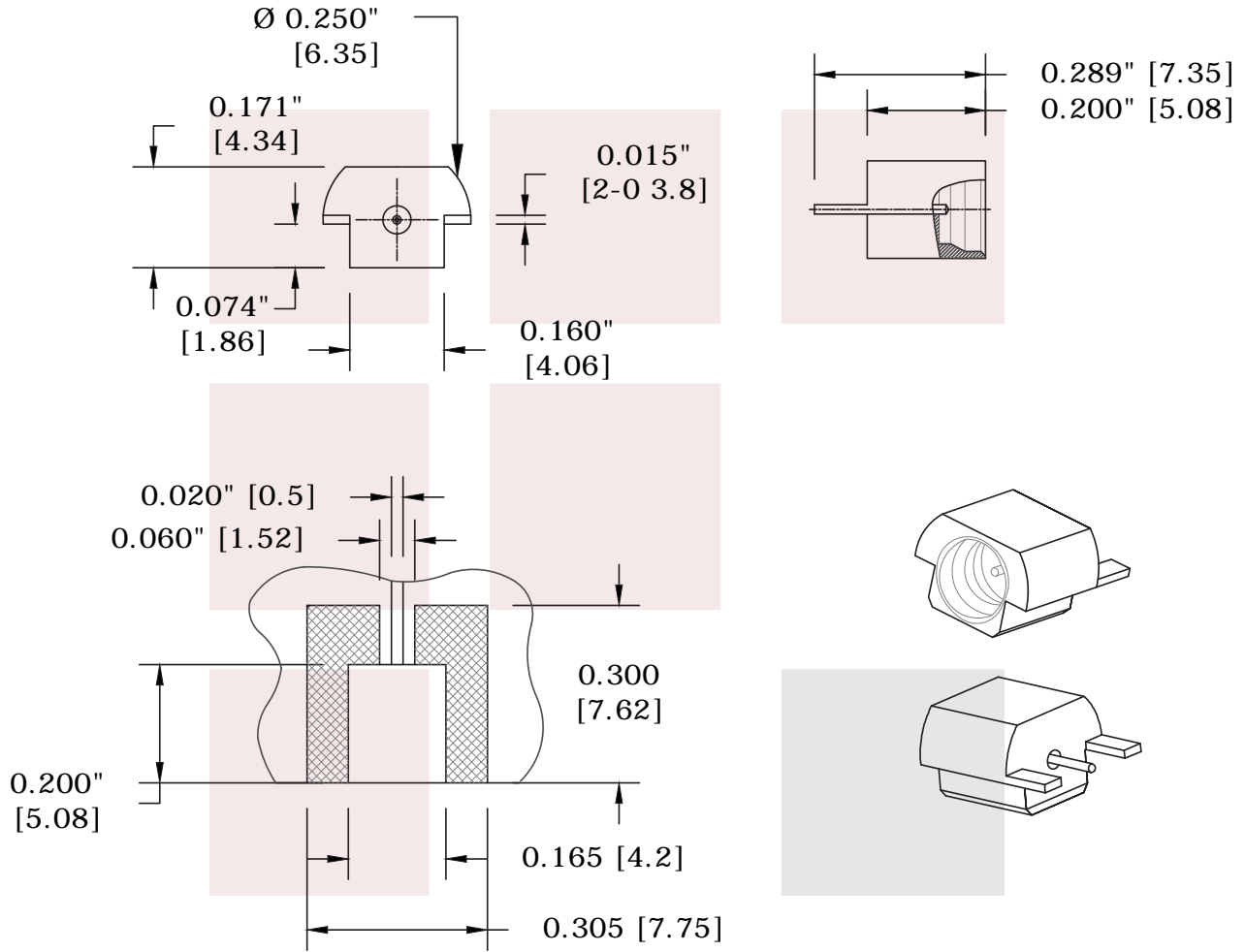
SMP Male Limited Detent PCB Connector End Launch Solder Attachment Up To 6 GHz from Fairview Microwave is in-stock and available to ship same-day. All of our RF/microwave products are available off-the-shelf from our ISO 9001:2008 certified facilities in Allen, Texas. Fairview Microwave is RF on-demand.

For additional information on this product, please click the following link: [SMP Male Limited Detent PCB Connector End Launch Solder Attachment Up To 6 GHz SC5187](#)

URL: <http://www.fairviewmicrowave.com/smp-male-limited-detent-end-launch-pcb-connector-sc5187-p.aspx>

The information contained in this document is accurate to the best of our knowledge and representative of the part described herein. It may be necessary to make modifications to the part and/or the documentation of the part, in order to implement improvements. Fairview Microwave reserves the right to make such changes as required. Unless otherwise stated, all specifications are nominal. Fairview Microwave does not make any representation or warranty regarding the suitability of the part described herein for any particular purpose, and Fairview Microwave does not assume any liability arising out of the use of any part or documentation.





<b>FAIRVIEW MICROWAVE INC.</b> ALLEN, TX 75013 WWW.FAIRVIEWMICROWAVE.COM		NOTES: 1. UNLESS OTHERWISE SPECIFIED ALL DIMENSIONS ARE NOMINAL. 2. ALL SPECIFICATIONS ARE SUBJECT TO CHANGE WITHOUT NOTICE AT ANY TIME. 3. DIMENSIONS ARE IN INCHES [mm].				
TITLE SMP Male Limited Detent PCB Connector End Launch Solder Attachment Up To 6 GHz		DWG NO SC5187		CAGE CODE 3FKR5		
		CAD FILE 021715	SHEET	SCALE N/A	SIZE A	5568