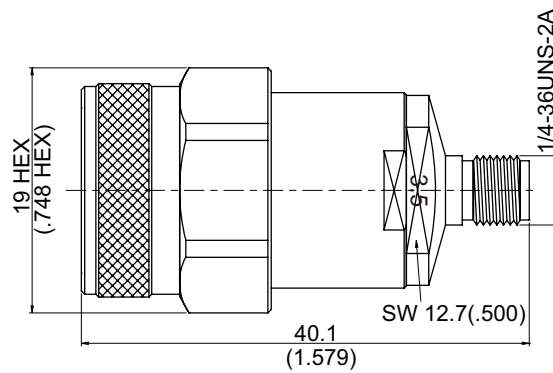


ADS-N3PC8	Stainless N Plug To 3.5 Jack	50Ω
------------------	-------------------------------------	------------



Typical VSWR

Part Number	1~3Ghz	4~6Ghz	7~18Ghz
ADS-N3PC8	1.05	1.15	1.2

NOTE: White Dot Indicates 3.5 Interface.

Parts	Material	Plating (Micro-inch)
Retainer Ring	Brass	Tin-Zinc-Copper-Alloy 100 Over Copper 50
Gasket	Silicon	
Contact Pin	Beryllium Copper	Gold 20 Over Nickel 50 Over Copper 50
Holder	Brass	Tin-Zinc-Copper-Alloy 100 Over Copper 50
Insulator	Teflon	
Contact Body	Stainless Steel	Passivated
Body	Stainless Steel	Passivated
Coupling Nut	Stainless Steel	Passivated

Weight:

This part number complies with RoHS.

Notice: JYEBAO reserves the right to make modifications deemed appropriate.