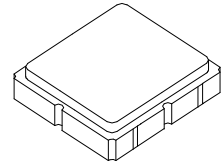


**SF2137D**

**869.00 MHz  
SAW Filter**



**SM3838-6**

- Steep Roll-off SAW Filter for 869.00 MHz Unlicensed band
- Complies with Directive 2002/95/EC (RoHS)
- No Matching Required for Operation in 50Ω Environment



### Absolute Maximum Ratings

Rating	Value	Units
Input Power Level	17	dBm
DC Voltage Between any Two Pins	3	V
Operating Temperature Range	-20 to +70	°C
Storage Temperature Range in Tape and Reel	-40 to +85	°C

### Electrical Characteristics

Characteristic	Sym	Notes	Min	Typ	Max	Units
Center Frequency	$F_C$			869.00		MHz
Insertion Loss, 868 to 870 MHz	IL			2.9	4.0	dB
Amplitude Ripple, p-p, 868 to 870 MHz				0.2	1.5	
Attenuation Relative to 0 dB:						
825 to 828 MHz			40	47		
835 to 842 MHz			30	38		
891 to 894 MHz			30	43		
910 to 913 MHz			40	48		
Source Impedance	$Z_S$			50		Ω
Load Impedance	$Z_L$			50		Ω

Case Style	SM3838-6					
Lid Symbolization, Y=year, WW=week, S=shift, dot=pin 1 indicator	A33, YWWS					
Standard Reel Quantity	Reel Size 7 Inch					1000 Pieces/Reel
	Reel Size 13 Inch					3000 Pieces/Reel

### Electrical Connections

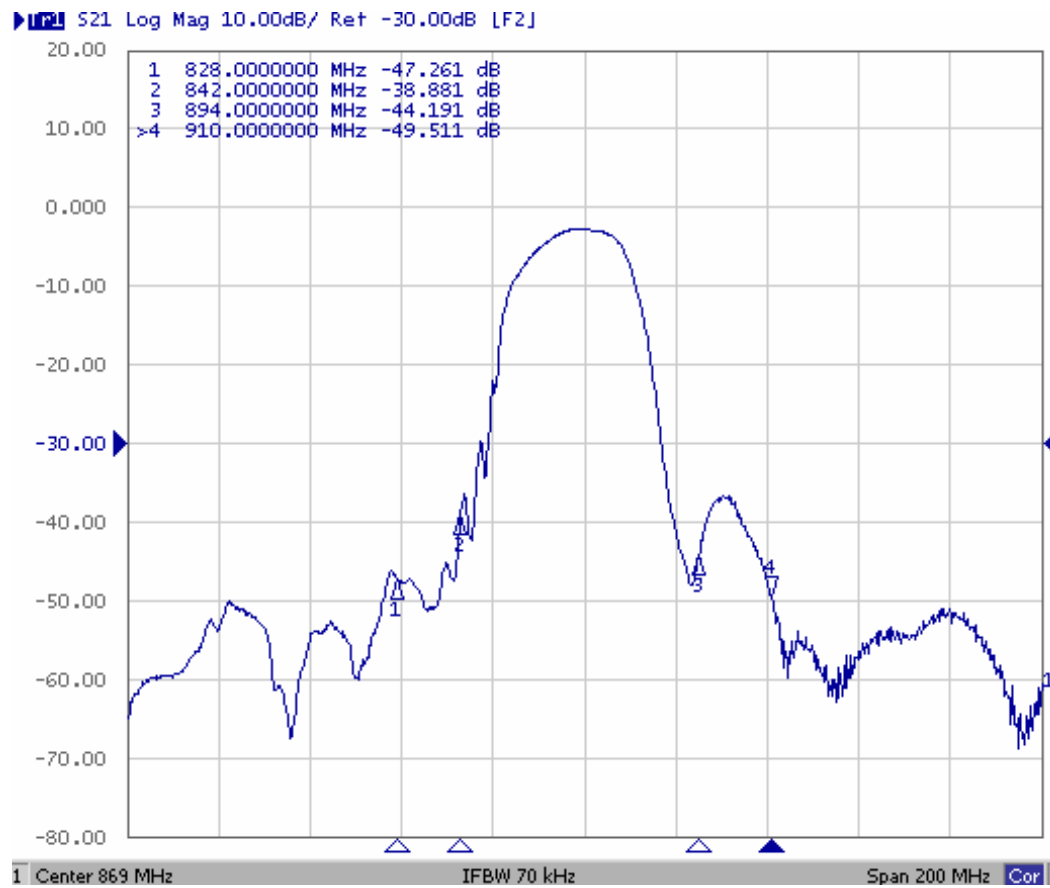
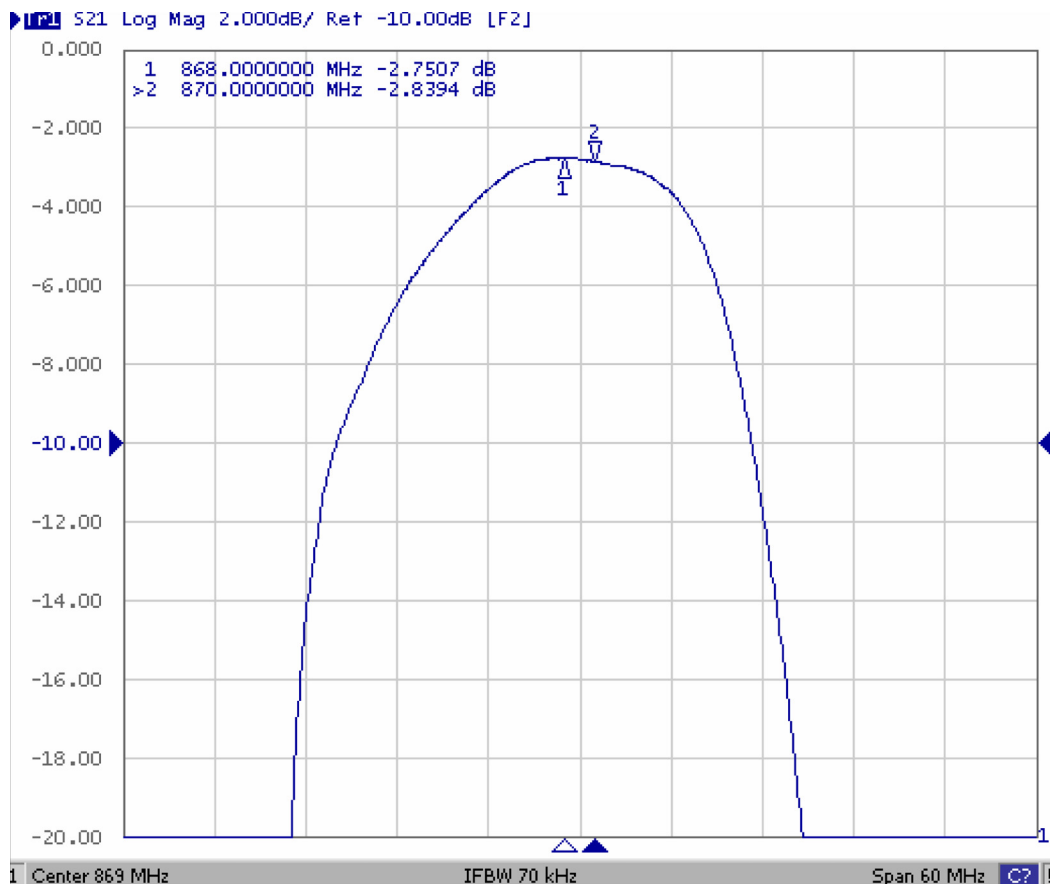
Connection	Terminals
Port 1	2
Port 2	5
Case Ground	All others



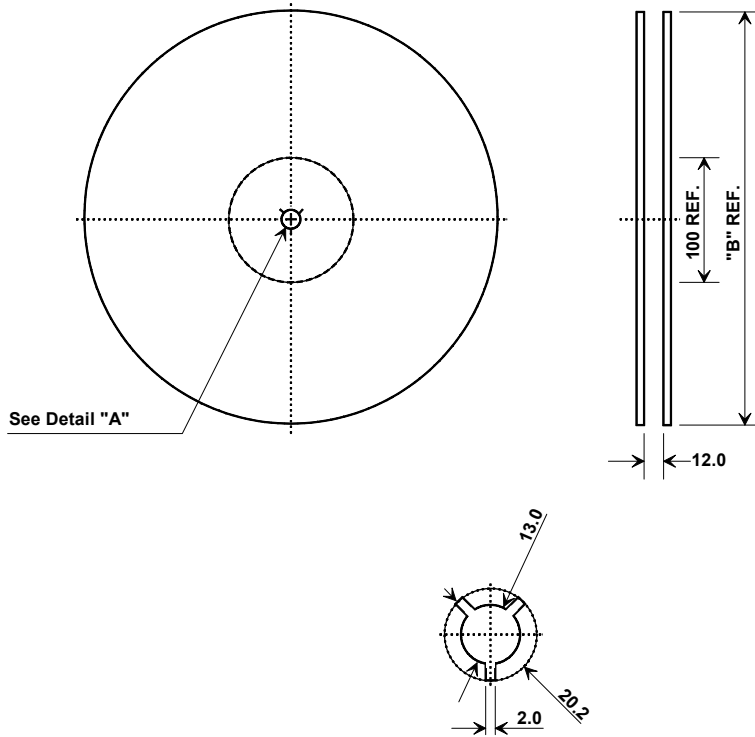
**CAUTION: Electrostatic Sensitive Device. Observe precautions for handling.**

### NOTES:

1. Unless noted otherwise, all specifications apply over the operating temperature range with filter soldered to the specified demonstration board with impedance matching to 50 Ω and measured with 50 Ω network analyzer.
2. Unless noted otherwise, all frequency specifications are referenced to the nominal center frequency, fc.
3. Rejection is measured as attenuation below the minimum IL point in the passband. Rejection in final user application is dependent on PCB layout and external impedance matching design. See Application Note No. 42 for details.
4. The design, manufacturing process, and specifications of this filter are subject to change.
5. US and international patents may apply.
6. Murata, stylized Murata logo, and Murata N.A., Inc. are registered trademarks of Murata Manufacturing Co., Ltd.



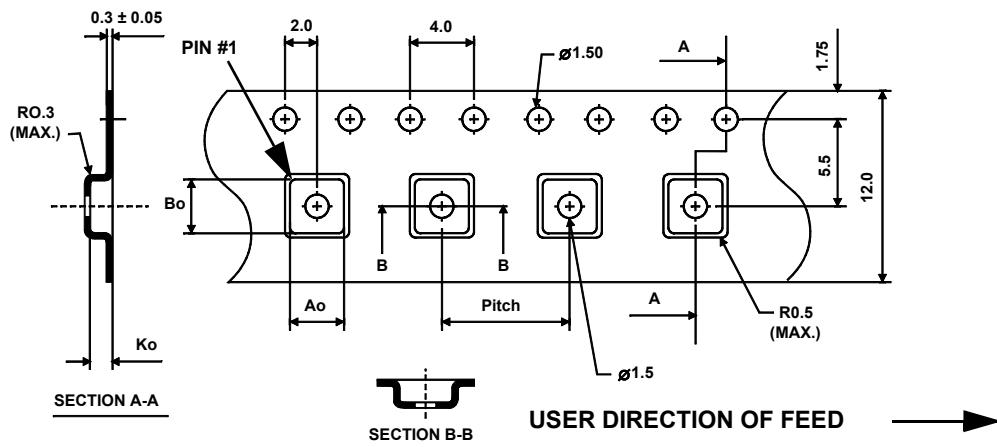
## Tape and Reel Specifications



"B"		Quantity Per Reel
Inches	millimeters	
7	178	1000
13	330	3000

## COMPONENT ORIENTATION and DIMENSIONS

Carrier Tape Dimensions	
Ao	4.25 mm
Bo	4.25 mm
Ko	1.30 mm
Pitch	8.0 mm
W	12.0 mm



# SM3838-6 Case

## 6-Terminal Ceramic Surface-Mount Case

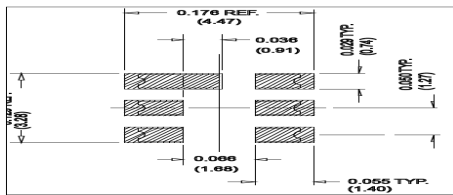
### 3.8 X 3.8 mm Nominal Footprint

#### Case Dimensions

Dimension	mm			Inches		
	Min	Nom	Max	Min	Nom	Max
A	3.60	3.80	4.0	0.14	0.15	0.16
B	3.60	3.80	4.0	0.14	0.15	0.16
C	1.07	1.25	1.43	0.05	0.06	0.067
D	0.95	1.10	1.25	0.037	0.043	0.05
E	2.39	2.54	2.69	0.090	0.10	0.110
G	0.90	1.0	1.10	0.035	0.04	0.043
H	1.90	2.0	2.10	0.75	0.08	0.83
I	0.50	0.6	0.70	0.020	0.024	0.028
J	1.70	1.8	1.90	0.067	0.07	0.075

#### Electrical Connections

Connection		Terminals
Port 1	Single-ended Input	2
Port 2	Single-ended Output	5
	Ground	All others
Single-ended Operation Only		
Dot indicates Pin 1		

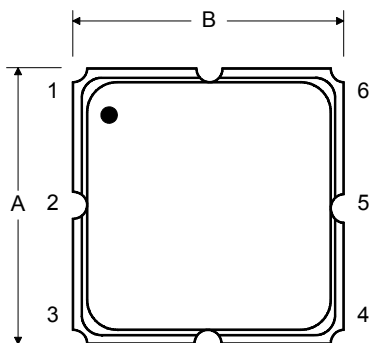


PCB Footprint

#### Materials

Solder Pad Plating	0.3 to 1.0 $\mu\text{m}$ Gold over 1.27 to 8.89 $\mu\text{m}$ Nickel
Lid Plating	2.0 to 3.0 $\mu\text{m}$ Nickel
Body	$\text{Al}_2\text{O}_3$ Ceramic
Pb Free	

#### TOP VIEW



#### BOTTOM VIEW

