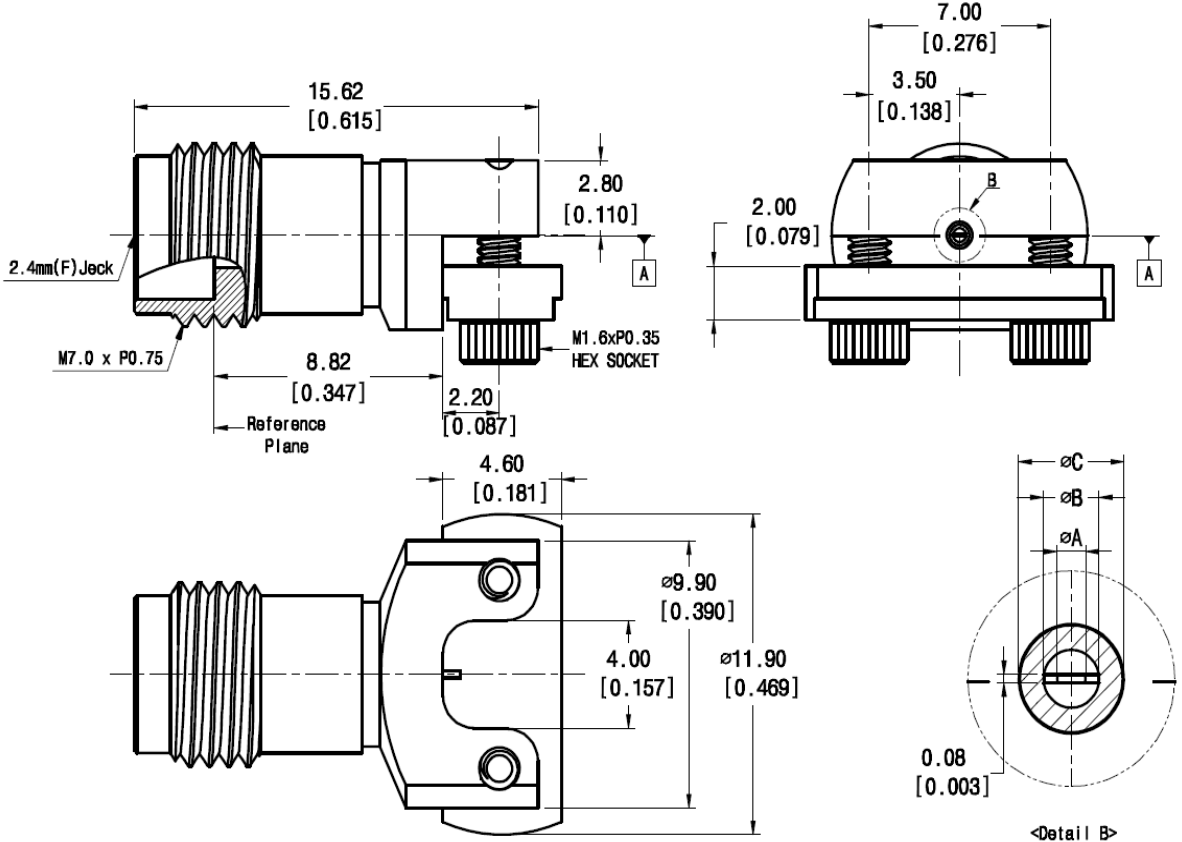
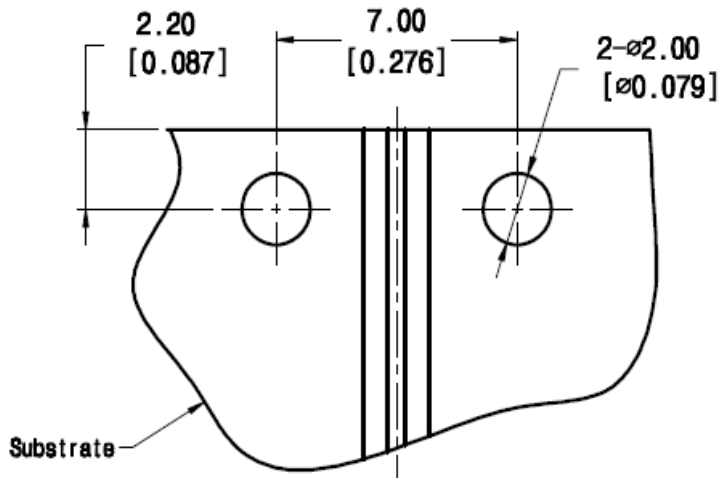


R04	Description	Design	Data
	2.4mm ET lunch		kevin




1 Materials

Connector 2.4mm End lunch

2 Electronics

*Frequency Range:DC-50Ghz

*VSWR Max: 1.2:1@50GHz

2.4mm ET lunch	
Eastample	
Drawing: CA-04466	