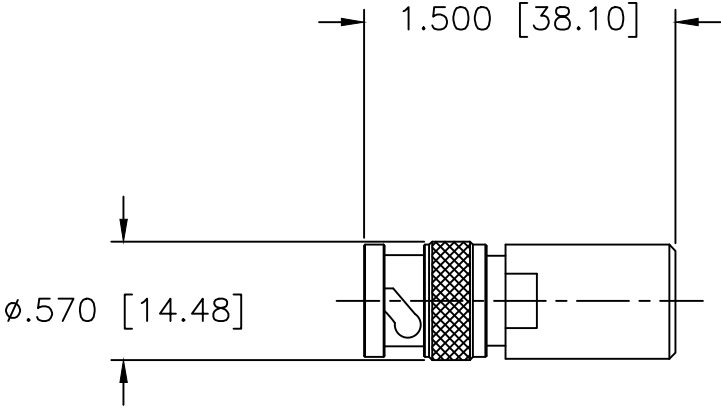




REVISIONS				
ZONE	REV	DESCRIPTION	Date	APPROVED



MATERIAL:		 MICROWAVE COMMUNICATIONS LABORATORIES INC. 7255 30TH AVE. N. SAINT PETERSBURG, FL 33710 TEL: (727) 344-6254 FAX: (727) 381-6116 http://WWW.MCLI.COM	SCALE:	N/A
			SHEET:	N/A
UNLESS OTHERWISE SPECIFIED: TOLERANCES IN (INCHES) OR [mm] (MILLIMETERS) FRACTIONS: ± 1/64 DECIMALS: ± .01 ± .005 ANGLE: ± 1/2°		DRAWING TITLE: 5 WATT BNC MALE TERMINATION		
DRAWN: Paiboon Luekhamhan		PART NO. TBM-2		
DATE: 12-07-1997		CAGE CODE: OD2L5		
APPROVED: T. Nguyen		DATE: 12-07-1997 SIZE: N/A REV: N/A DWG NO.: 80779		
PROPRIETARY NOTICE: THE INFORMATION IN THIS DRAWING IS PROPRIETARY AND SHALL NOT BE USED OR DISCLOSED WITHOUT WRITTEN PERMISSION FROM MICROWAVE COMMUNICATIONS LABORATORIES INC. (MCLI)		THIRD ANGLE PROJECTION  DO NOT SCALE THE DRAWING		