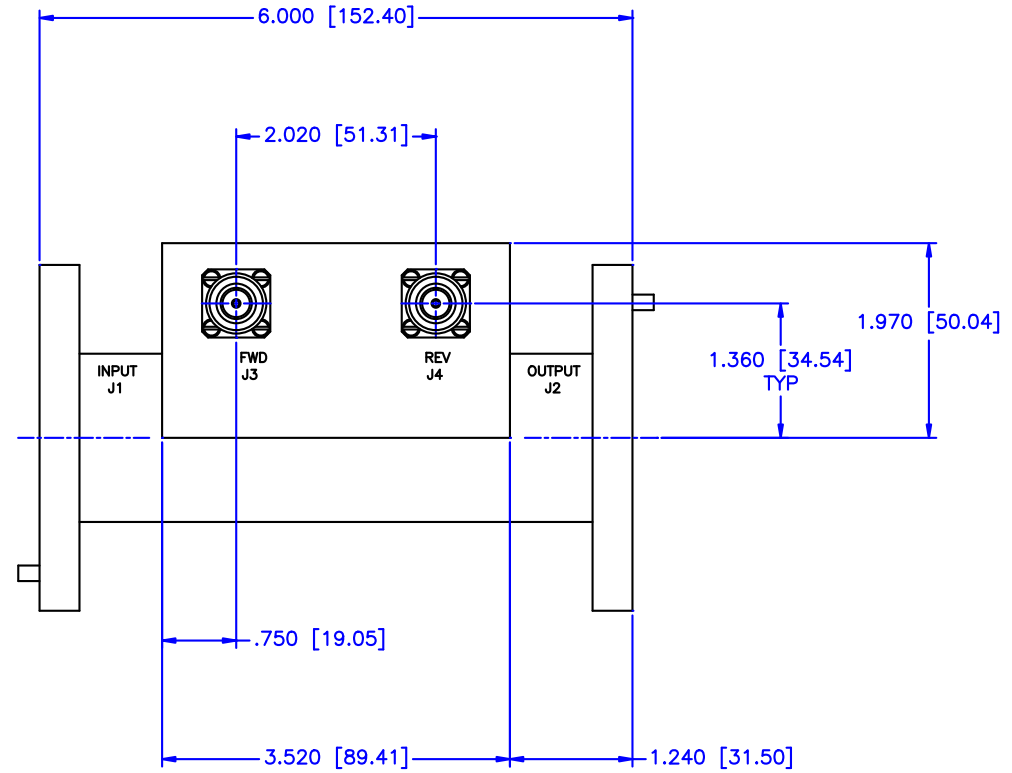
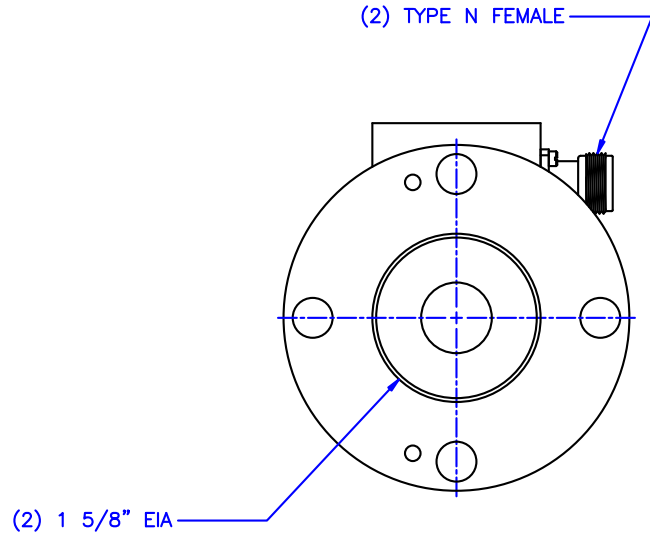


REVISIONS				
ZONE	REV	DESCRIPTION	DATE	APPROVED



SPECIFICATIONS:

- FREQUENCY RANGE: 470–860 MHz
- FLATNESS: ± 0.25 dB
- INSERTION LOSS: 0.10dB Max.
- DIRECTIVITY: 20dB Min.
- VSWR: 1.15:1 Max.
- POWER: 5kW CW

MATERIAL:		MCLI MICROWAVE COMMUNICATIONS LABORATORIES INC. 7255 30TH AVE. N. SAINT PETERSBURG, FL 33710 TEL: (727) 344-6254 FAX: (727) 381-6116 http://WWW.MCLI.COM	SCALE: N/A
DRAWN: Paiboon Luekhamhan			DATE: 01-06-2011
APPROVED: T. Nguyen		DATE: 01-06-2011	DRAWING TITLE: HIGH POWER DUAL DIRECTIONAL COUPLER
<small>UNLESS OTHERWISE SPECIFIED: TOLERANCES IN (INCHES) OR [mm] (MILLIMETERS) FRACTIONS: $\pm 1/64$ DECIMALS: $\pm .015$ ANGLE: $\pm 1/2^\circ$</small>		PART NO. HDL-30-60	
<small>PROPRIETARY NOTICE: THE INFORMATION IN THIS DRAWING IS PROPRIETARY AND SHALL NOT BE USED OR DISCLOSED WITHOUT WRITTEN PERMISSION FROM MICROWAVE COMMUNICATIONS LABORATORIES INC. (MCLI)</small>		CAGE CODE: OD2L5	SIZE: C
<small>THIRD ANGLE PROJECTION</small>		REV: N/A	DWG NO. 85198
DO NOT SCALE THE DRAWING			