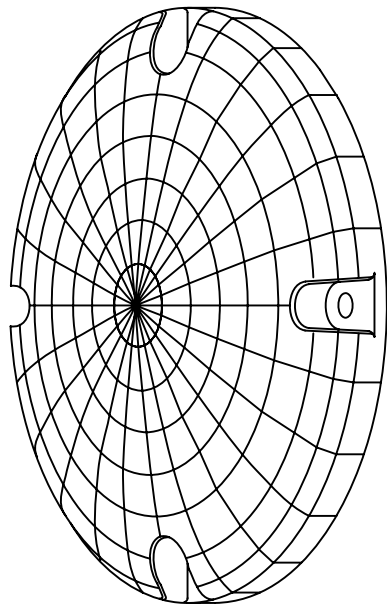




## LOW PROFILE ANTENNA

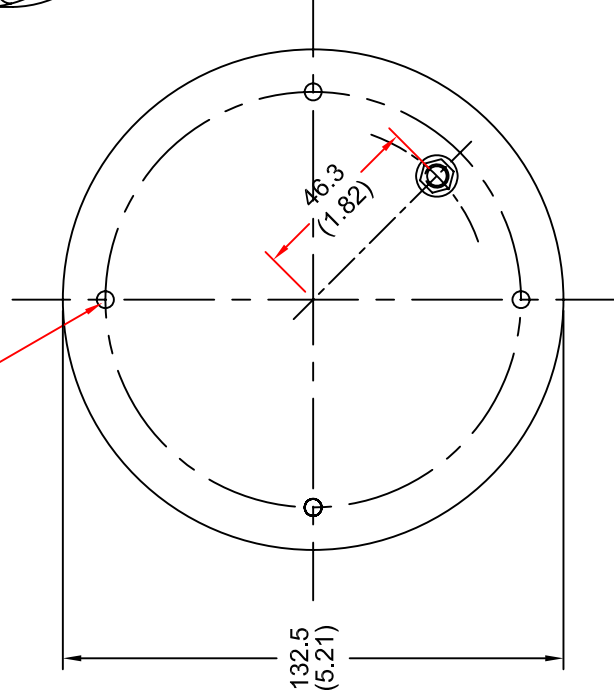
**MODEL:** LPA7-15R-D2/668

<b>FREQUENCY:</b>	1.50 - 1.62 GHz	<b>GAIN:</b>	7dBic
<b>POLARISATION:</b>	R.H. Circular	<b>BEAMWIDTH:</b>	80° (Azimuth) x 80° (Elevation)
<b>AXIAL RATIO:</b>	2 dB	<b>VSWR:</b>	1.5:1
<b>POWER RATING:</b>	50 W	<b>FRONT TO BACK:</b>	30dB
<b>TEMPERATURE:</b>	-20°C to +50°C	<b>MASS:</b>	150 g
<b>RADOME:</b>	Rigid Mount Polymer	<b>WIND LOADING:</b>	2.2 kg/4.9 lbs @ 100 mph

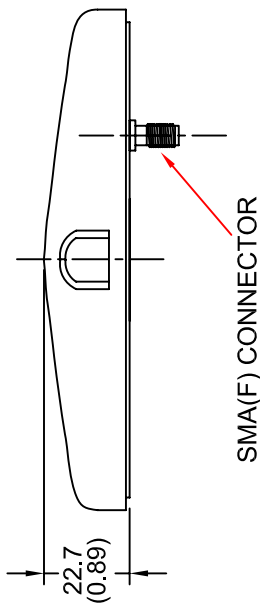


**ISOMETRIC VIEW**

MOUNTING VIA 4 x Ø4.5 (0.18")  
HOLES EQUALLY SPACED ON A  
110 (4.35") PCD



**BOTTOM VIEW**



**SIDE VIEW**

**DIMENSIONS: mm (inches)**

**GA 668-1 Issued 210100**

EUROPEAN ANTENNAS LTD.

LAMBDA HOUSE, CHEVELEY,  
NEWMARKET, SUFFOLK, CB8 9RG,  
UNITED KINGDOM.

TEL: +44 (0)1638 731888

FAX: +44 (0)1638 731999

E-Mail: [sales@european-antennas.co.uk](mailto:sales@european-antennas.co.uk)

Website: [www.european-antennas.co.uk](http://www.european-antennas.co.uk)