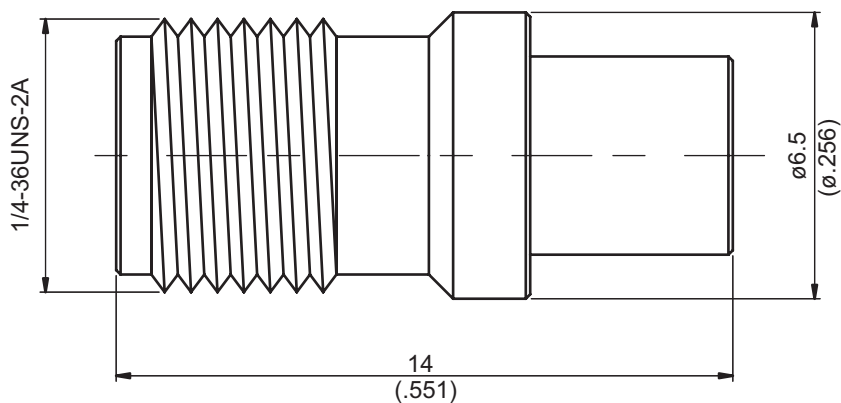


ADS-A8PS3

Stainless SMA Jack To Smooth Bore SMP Plug 50Ω



Parts	Material	Plating (Micro-inch)
Contact Pin	Beryllium	Gold 10 Over Nickel 50 Over Copper 50
Insulator	Teflon	
Body	Stainless Steel	Passivated

Weight: 1.68 g

This part number complies with RoHS.

Notice: JYEBAO reserves the right to make modifications deemed appropriate.